

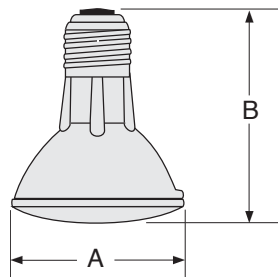
PRO-PAR™ 20 SERIES

- Only for Use in Approved Halogen Fixtures
- PAR 20
- Medium Screw Base
- Improved Optics & Color Consistency
- Dimmable
- Vibration Protection
- Universal Burn Position

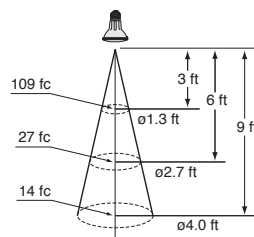


Watts	Ushio Ordering Code	Ushio Lamp Code	Dimensions		Approx Lumens lm	Beam		Center Beam cp	Avg Life h	Case Qty
			Dia (A)	MOL (B)		Angle	Spread			
PRO-PAR™ 20										
35	1003064	35PAR20/FL30/120V	2.5	3.3	425	30°	Flood	900	2500	15
50	1001504	50PAR20/SP10/130V	2.5	3.3	600	10°	Spot	5000	2500	15
50	1001503	50PAR20/NFL30/120V	2.5	3.3	600	30°	Narrow Flood	1250	2500	15
50	1001502	50PAR20/NFL30/130V	2.5	3.3	600	30°	Narrow Flood	1250	2500	15
50	1001499	50PAR20/FL40/120V	2.5	3.3	600	40°	Flood	900	2500	15
50	1001500	50PAR20/FL40/130V	2.5	3.3	600	40°	Flood	900	2500	15

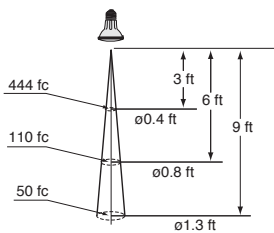
All dimensions shown in inches unless otherwise noted.



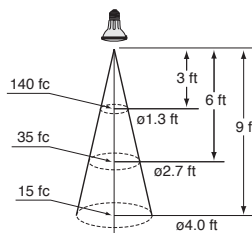
E26



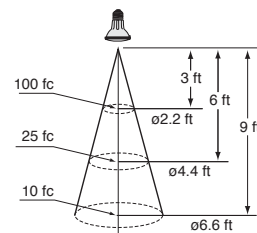
35W PAR20 FLOOD 30°



50W PAR20 SPOT 10°



50W PAR20 NARROW FLOOD 30°



50W PAR20 FLOOD 40°

PRO-PAR™ 30 SERIES

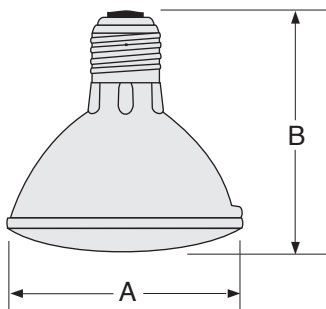
- Only for Use in Approved Halogen Fixtures
- PAR 30
- Medium Screw Base
- Improved Optics & Color Consistency
- Dimmable
- Vibration Protection
- Universal Burn Position



Watts	Ushio Ordering Code	Ushio Lamp Code	Dimensions		Approx Lumens lm	Beam		Center Beam cp	Avg Life h	Case Qty
			Dia (A)	MOL (B)		Angle	Spread			
PRO-PAR™ 30										
Ⓔ 50	1001514	50PAR30/SP10/120V	3.75	3.63	600	10°	Spot	6000	2500	15
Ⓔ 50	1001513	50PAR30/SP10/130V Ratings @ 120V=44W	3.75	3.63	600 470	10°	Spot	6000	2500 5000	15
Ⓔ 50	1001510	50PAR30/NFL30/120V	3.75	3.63	600	30°	Narrow Flood	2000	2500	15
Ⓔ 50	1001511	50PAR30/NFL30/130V Ratings @ 120V=44W	3.75	3.63	600 470	30°	Narrow Flood	2000	2500 5000	15
Ⓔ 50	1001507	50PAR30/FL40/120V	3.75	3.63	600	40°	Flood	1300	2500	15
Ⓔ 50	1001508	50PAR30/FL40/130V Ratings @ 120V=44W	3.75	3.63	600 470	40°	Flood	1300	2500 5000	15
Ⓔ 75	1001540	75PAR30/SP10/120V	3.75	3.63	1100	10°	Spot	14000	2500	15
Ⓔ 75	1001539	75PAR30/SP10/130V Ratings @ 120V=66W	3.75	3.63	1100 860	10°	Spot	14000	2500 5000	15
Ⓔ 75	1001536	75PAR30/NFL30/120V	3.75	3.63	1100	30°	Narrow Flood	3200	2500	15
Ⓔ 75	1001537	75PAR30/NFL30/130V Ratings @ 120V=66W	3.75	3.63	1100 860	30°	Narrow Flood	3200	2500 5000	15
Ⓔ 75	1001533	75PAR30/FL40/120V	3.75	3.63	1100	40°	Flood	2000	2500	15
Ⓔ 75	1001534	75PAR30/FL40/130V Ratings @ 120V=66W	3.75	3.63	1100 860	40°	Flood	2000	2500 5000	15

Ⓔ = This Bulb Meets US Federal Minimum Efficiency Standard

All dimensions shown in inches unless otherwise noted.



E26

See Photometrics on page 52

PRO-PAR™ 30 LONG NECK SERIES

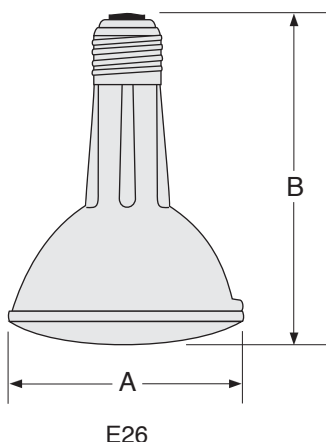
- Only for Use in Approved Halogen Fixtures
- PAR 30 Long Neck
- Medium Screw Base
- Improved Optics & Color Consistency
- Dimmable



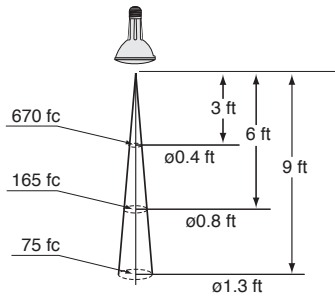
Watts	Ushio Ordering Code	Ushio Lamp Code	Dimensions		Approx Lumens Im	Beam		Center Beam cp	Avg Life h	Case Qty
			Dia (A)	MOL (B)		Angle	Spread			
* PRO-PAR™ 30 Long Neck										
50	1001522	50PAR30LN/SP10/120V	3.75	4.50	600	10°	Spot	6000	2500	15
50	1001523	50PAR30LN/SP10/130V Ratings @ 120V=44W	3.75	4.50	600 470	10°	Spot	6000	2500 5000	15
50	1001519	50PAR30LN/NFL30/120V	3.75	4.50	600	30°	Narrow Flood	2000	2500	15
50	1001520	50PAR30LN/NFL30/130V Ratings @ 120V=44W	3.75	4.50	600 470	30°	Narrow Flood	2000	2500 5000	15
50	1001516	50PAR30LN/FL40/120V	3.75	4.50	600	40°	Flood	1300	2500	15
50	1001517	50PAR30LN/FL40/130V Ratings @ 120V=44W	3.75	4.50	600 470	40°	Flood	1300	2500 5000	15
75	1001548	75PAR30LN/SP10/120V	3.75	4.50	1000	10°	Spot	14000	2500	15
75	1001549	75PAR30LN/SP10/130V Ratings @ 120V=66W	3.75	4.50	1100 860	10°	Spot	14000	2500 5000	15
75	1001545	75PAR30LN/NFL30/120V	3.75	4.50	1100	30°	Narrow Flood	3200	2500	15
75	1001546	75PAR30LN/NFL30/130V Ratings @ 120V=66W	3.75	4.50	1100 860	30°	Narrow Flood	3200	2500 5000	15
75	1001542	75PAR30LN/FL40/120V	3.75	4.50	1100	40°	Flood	2000	2500	15
75	1001543	75PAR30LN/FL40/130V Ratings @ 120V=66W	3.75	4.50	1100 860	40°	Flood	2000	2500 5000	15

* Non-Fluted Reflector Design

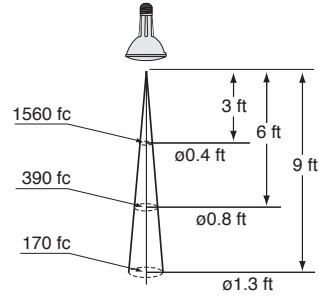
All dimensions shown in inches unless otherwise noted.



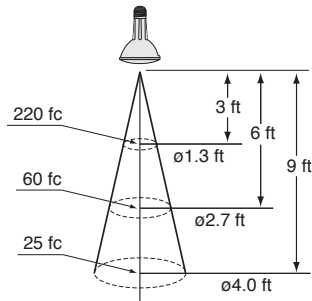
See Photometrics on page 52



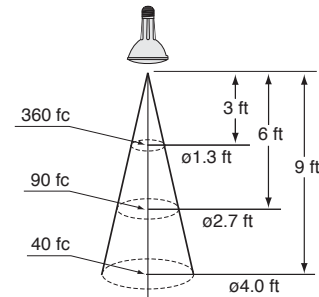
50W PAR30 SPOT 10°



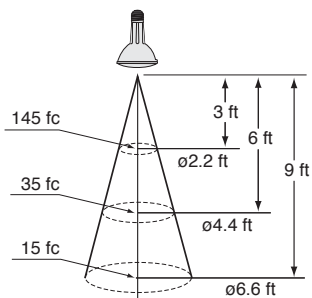
75W PAR30 SPOT 10°



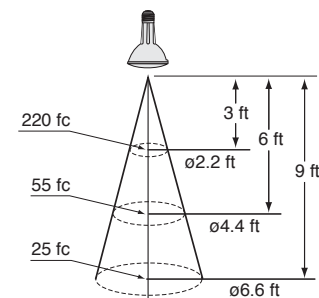
50W PAR30 NARROW FLOOD 30°



75W PAR30 NARROW FLOOD 30°



50W PAR30 FLOOD 40°



75W PAR30 FLOOD 40°

PAR 36

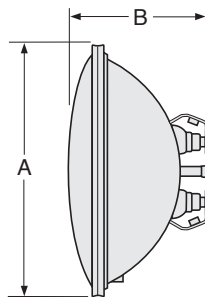
- Only for Use in Approved Halogen Fixtures
- Screw Terminal Base
- Flame Sealed Lens
- Low Voltage - 12V
- Universal Burn Position



Watts	Ushio Ordering Code	Ushio Lamp Code	Dimensions		Beam		Luminous Intensity cd	Avg Life h	Case Qty
			Dia (A)	MOL (B)	Angle	Spread			
*PAR 36 Screw Terminal Base									
20	1003539	20PAR36/NSP8/12V	4.37	2.87	8°	Narrow Spot	3500	4000	12
20	1003532	20PAR36/NFL20/12V	4.37	2.87	20°	Narrow Flood	1300	4000	12
20	1003531	20PAR36/FL30/12V	4.37	2.87	30°	Flood	750	4000	12
35	1003535	35PAR36/NSP8/12V	4.37	2.87	8°	Narrow Spot	7500	4000	12
35	1003534	35PAR36/NFL20/12V	4.37	2.87	20°	Narrow Flood	2500	4000	12
35	1003533	35PAR36/FL30/12V	4.37	2.87	30°	Flood	1400	4000	12
50	1003538	50PAR36/NSP8/12V	4.37	2.87	8°	Narrow Spot	13500	4000	12
50	1003537	50PAR36/NFL20/12V	4.37	2.87	20°	Narrow Flood	5000	4000	12
50	1003536	50PAR36/FL30/12V	4.37	2.87	30°	Flood	2000	4000	12

* These lamps are low voltage lamps and require a transformer to operate.

All dimensions shown in inches unless otherwise noted.



Screw Terminal

PRO-PAR™ 38 SERIES

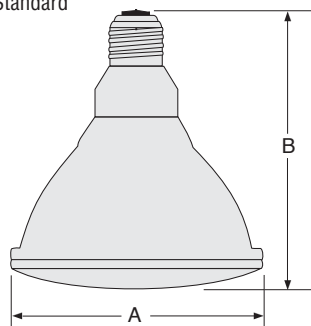
- Only for Use in Approved Halogen Fixtures
- PAR 38
- Medium Screw Base
- Improved Optics & Color Consistency
- Dimmable
- Vibration Protection
- Universal Burn Position



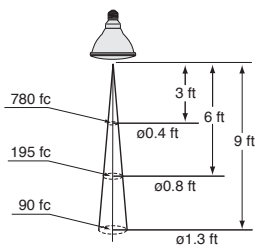
Watts	Ushio Ordering Code	Ushio Lamp Code	Dimensions		Approx Lumens lm	Beam		Center Beam cp	Avg Life h	Case Qty
			Dia (A)	MOL (B)		Angle	Spread			
PRO-PAR™ 38										
ⓔ 45	1001487	45PAR38/SP10/120V	4.75	5.31	520	10°	Spot	7000	2500	15
ⓔ 45	1001488	45PAR38/SP10/130V Ratings @ 120V=40W	4.75	5.31	520 400	10°	Spot	7000	2500 5000	15
ⓔ 45	1001483	45PAR38/FL30/120V	4.75	5.31	520	30°	Flood	2000	2500	15
ⓔ 45	1001484	45PAR38/FL30/130V Ratings @ 120V=40W	4.75	5.31	520 400	30°	Flood	2000	2500 5000	15
ⓔ 45	1001489	45PAR38/WFL50/120V	4.75	5.31	520	50°	Wide Flood	600	2500	15
ⓔ 45	1001490	45PAR38/WFL50/130V Ratings @ 120V=40W	4.75	5.31	520 400	50°	Wide Flood	600	2500 5000	15
ⓔ 60	1002246	60PAR38/SP10/120V	4.75	5.31	720	10°	Spot	15000	2500	15
ⓔ 60	1003191	60PAR38/SP10/130V Ratings @ 120V=53W	4.75	5.31	720 560	10°	Spot	15000	2500 5000	15
ⓔ 60	1001530	60PAR38/FL30/120V	4.75	5.31	720	30°	Flood	3200	2500	15
ⓔ 60	1003192	60PAR38/FL30/130V Ratings @ 120V=53W	4.75	5.31	720 560	30°	Flood	3200	2500 5000	15
ⓔ 75	1003193	75PAR38/SP10/120V	4.75	5.31	1100	10°	Spot	17500	2500	15
ⓔ 75	1003194	75PAR38/SP10/130V Ratings @ 120V=66W	4.75	5.31	1100 860	10°	Spot	17500	2500 5000	15
ⓔ 75	1001725	75PAR38/FL30/120V	4.75	5.31	1100	30°	Flood	3500	2500	15
ⓔ 75	1003195	75PAR38/FL30/130V Ratings @ 120V=66W	4.75	5.31	1100 860	30°	Flood	3500	2500 5000	15
ⓔ 90	1001556	90PAR38/SP10/120V	4.75	5.31	1300	10°	Spot	19500	2500	15
ⓔ 90	1001557	90PAR38/SP10/130V Ratings @ 120V=79W	4.75	5.31	1300 1015	10°	Spot	19500	2500 5000	15
ⓔ 90	1001553	90PAR38/FL30/120V	4.75	5.31	1300	30°	Flood	5000	2500	15
ⓔ 90	1001554	90PAR38/FL30/130V Ratings @ 120V=79W	4.75	5.31	1300 1015	30°	Flood	5000	2500 5000	15
ⓔ 90	1001558	90PAR38/WFL50/120V	4.75	5.31	1300	50°	Wide Flood	1500	2500	15
ⓔ 90	1001559	90PAR38/WFL50/130V Ratings @ 120V=79W	4.75	5.31	1300 1015	50°	Wide Flood	1500	2500 5000	15
ⓔ 120	1003068	*120PAR38/FL30/120V	4.75	5.31	1900	30°	Flood	8000	2500	15

* Non-Fluted Reflector Design
 ⓔ = This Bulb Meets US Federal Minimum Efficiency Standard

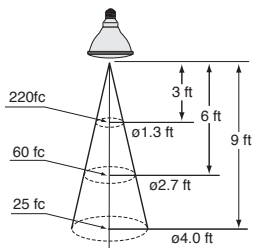
All dimensions shown in inches unless otherwise noted.



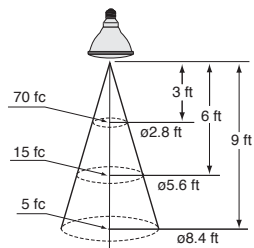
E26



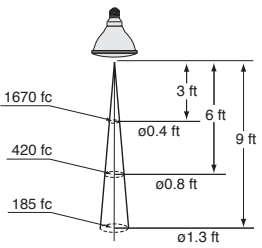
45W PAR38 SPOT 10°



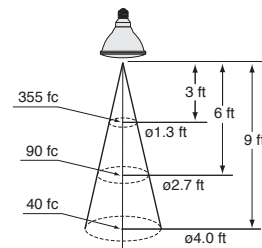
45W PAR38 FLOOD 30°



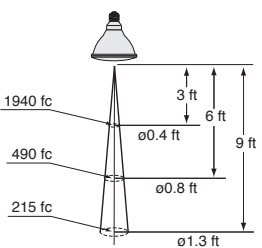
45W PAR38 WIDE FLOOD 50°



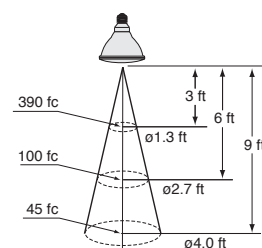
60W PAR38 SPOT 10°



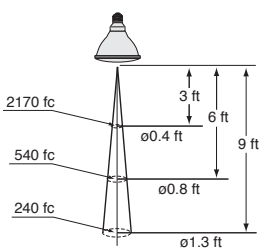
60W PAR38 FLOOD 30°



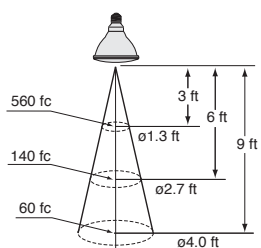
75W PAR38 SPOT 10°



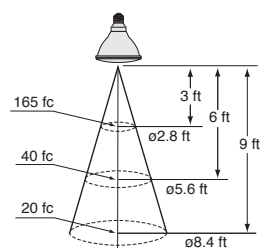
75W PAR38 FLOOD 30°



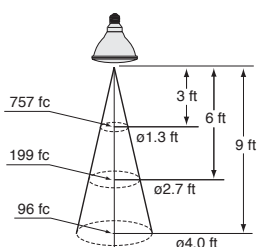
90W PAR38 SPOT 10°



90W PAR38 FLOOD 30°



90W PAR38 WIDE FLOOD 50°



120W PAR38 FLOOD 30°

PAR56 & PAR64 SERIES

- Only for Use in Approved Halogen Fixtures
- PAR56 - 7" Diameter
- PAR64 - 8" Diameter

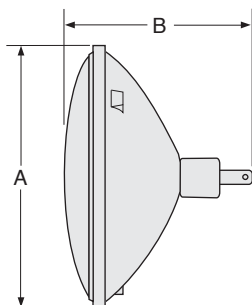
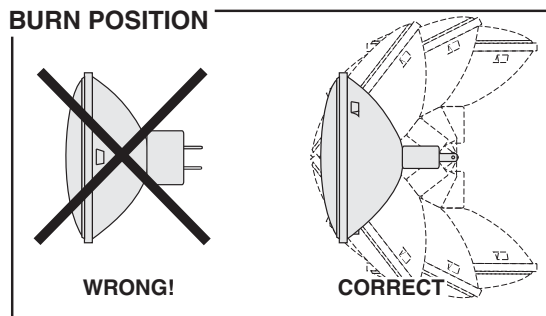


Watts	Ushio Ordering Code	Ushio Lamp Code	Dimensions		Approx Field Angle Degrees ¹	Approx Field Beam Degrees ²	Approx Field Lumens Im ³	Beam Spread	Color Temp K	Ave Life h	Case Qty
			Dia (A)	MOL (B)							
PAR 56 Mogul End Prong Base – GX16d											
300	1001456	300PAR56/NSP	7.03	5.0	20x14	10x8	1800	Narrow Spot	2750	2000	12
300	1001453	300PAR56/MFL	7.03	5.0	34x19	23x11	2100	Medium Flood	2750	2000	8
300	1001457	300PAR56/WFL	7.03	5.0	57x27	37x18	2200	Wide Flood	2750	2000	12
500	1001282	Q500PAR56/NSP	7.03	5.0	32x15	13x8	4000	Narrow Spot	2950	4000	12
500	1001281	Q500PAR56/MFL	7.03	5.0	42x20	26x10	4800	Medium Flood	2950	4000	12
500	1001284	Q500PAR56/WFL	7.03	5.0	66x34	44x20	6400	Wide Flood	2950	4000	12
PAR 64 Extended Mogul End Prong Base – GX16d											
500	1001495	500PAR64/NSP	8.09	6.0	—	—	6500	Narrow Spot	2850	2000	12
500	1001493	500PAR64/MFL	8.09	6.0	—	—	6500	Medium Flood	3000	2000	12
500	1001497	500PAR64/WFL	8.09	6.0	—	—	6500	Wide Flood	2850	2000	12

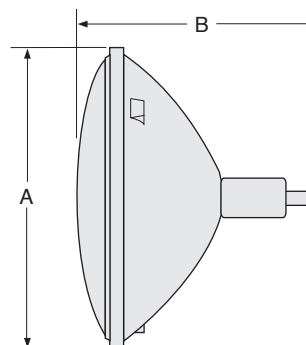
All dimensions shown in inches unless otherwise noted.

- ¹ Beam Spread at 10% peak candle power
- ² Beam Spread at 50% peak candle power
- ³ Measured within field angle

The ceramic base should be oriented in a horizontal position as shown in illustration. This keeps the filament and Halogen capsule in proper operating condition.



Mogul End Prong
GX16d



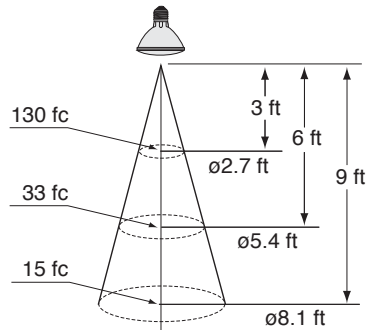
Extended Mogul End Prong
GX16d

SOFTLINE™ PAR SERIES

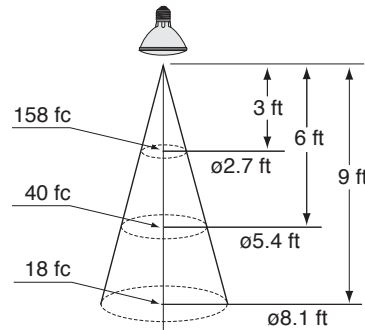
- Only for Use in Approved Halogen Fixtures
- Reduces Glare
- Creates Soft Beam of White Halogen Light
- Inside Frosted Front Lens
- Improved Optics and Color Consistency
- Dimmable
- Integrated UV Protection



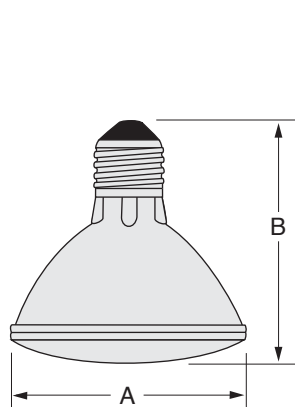
Watts	Ushio Ordering Code	Ushio Lamp Code	Dimensions		Beam Angle	Center Beam cp	Approx Lumens	Ratings @ 120V			Avg Life h	Case Qty
			Dia (A)	MOL (B)				Watts W	Lumen lm	Avg Life h		
SOFTLINE™ PAR Medium Screw Base - E26												
75	1003503	75PAR30/FL/120V/SFT	3.75	3.63	40°	1400	1100	—	—	—	2500	15
75	1003504	75PAR30/FL/130V/SFT	3.75	3.63	40°	1400	1100	66	860	5000	2500	15
90	1003505	90PAR38/FL/120V/SFT	4.75	5.31	40°	1700	1300	—	—	—	2500	15
90	1003506	90PAR38/FL/130V/SFT	4.75	5.31	40°	1700	1300	79	1015	5000	2500	15



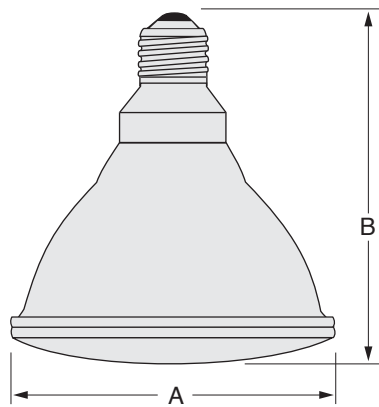
75W PAR30 FLOOD 40°



90W PAR38 FLOOD 40°



PAR-30



PAR-38