

C³™ COLD CATHODE SERIES

- Energy Efficient
- Dimmable
- Long Lamp Life - 25,000 Hours Average Rated Life
- Minimized Maintenance
- Medium Screw Base
- Universal Burn Position

Please see Safety and Handling Instructions on pages 88 & 89.



Watts	Ushio Ordering Code	Ushio Lamp Code	Dimensions			CRI	Lumens lm	Color Temp K	Avg Life h	Case Qty	Fig No
			Dia (in)	MOL (mm)	MOL (in)						
C³ Cold Cathode Medium Screw Base – E26											
3	3000475	CF3CC/2700/E26	1.7	91.4	3.6	82	120	2700	25000	12	1
5	3000476	CF5CC/2700/E26	2.0	101.6	4.0	82	200	2700	25000	12	2
8	3000528	CF8CC/2700/E26	2.3	114.3	4.5	82	300	2700	25000	12	3
8	3000529	CF8CC/FR/2700/E26	2.3	114.3	4.5	82	290	2700	25000	12	3
13	3000510	CF13CC/CLT/2700/E26	2.7	114.3	4.5	82	700	2700	25000	50	4
18	3000513	CF18CC/CLT/2700/E26	2.8	124.5	4.9	82	1050	2700	25000	50	5
18	3000539	CF18CC/2700/GX53	4.7	61.0	2.4	82	820	2700	25000	40	6
18	3000538	CF18CC/FPAR/2700/E26	4.7	127.0	5.0	82	820	2700	25000	24	7

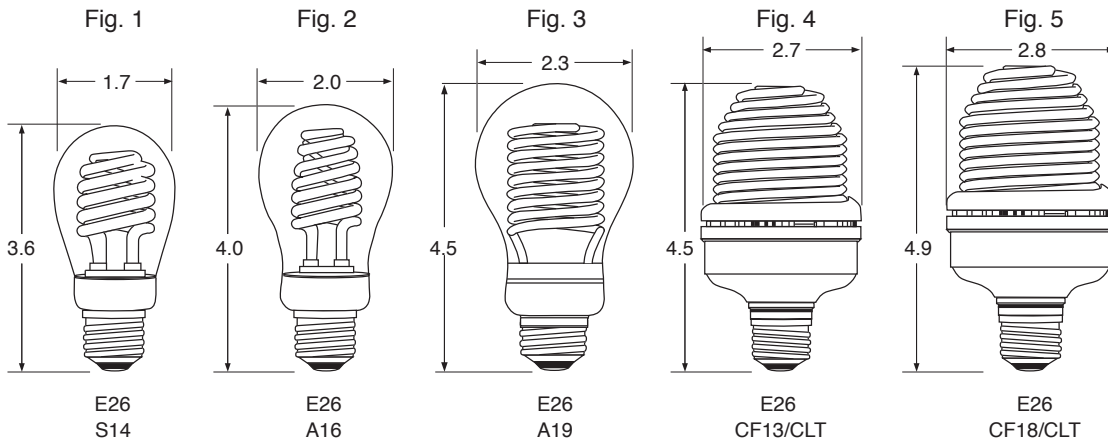
DIMMING: USHIO's dimmable Cold Cathode Compact Fluorescent lamps should only be used on modern analog dimmers. They will not work on digital dimming systems, which although uncommon, may still be found in certain new commercial installations.

C³™ Cold Cathode lamps have a dimming range of 100%-30%. Depending on the brand and type of dimmer used, you may experience flickering or shutdown with C³™ Cold Cathode lamps when dimmed below 30% of the lamp's power.

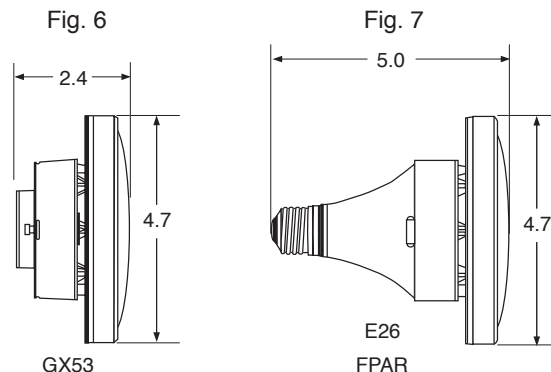
The model **GX53** lamp holder is rated up to 100W, 250V with an overall length of 3.10 inches. The case quantity is 10. Use order code **1003642**.



GX53



C ³ ™ Cold Cathode CFL Series	Incandescent Lamp
3W C ³	= 11W Incandescent
5W C ³	= 25W Incandescent
8W C ³	= 40W Incandescent
13W C ³	= 60W Incandescent
18W C ³	= 75W Incandescent



(Hg) - LAMP CONTAINS MERCURY
 Manage in Accord with Disposal Laws
 See: www.lamprecycle.org

COILIGHT™ & MINI COILIGHT™ SERIES

- Energy Efficient
- Low Operating Temperature
- Long Lamp Life - 10,000 Hours Average Rated Life
- Integral Electronic Ballast
- Medium Screw Base
- Universal Burn Position

Please see Safety and Handling Instructions on pages 88 & 89.



Watts	Ushio Ordering Code	Ushio Lamp Code	Dimensions			Lumens lm	Approx Temp K	Color CRI	Avg Rated Life* h	Commercial Life** h	Case Qty
			Dia (in)	MOL (mm)	MOL (in)						
Mini Coilight™ Medium Screw Base – E26											
9	3000153	CF9CLT/E26	1.91	111.5	4.39	525	2700	85	10000	12500	10
11	3000154	CF11CLT/E26	1.91	125.7	4.95	600	2700	85	10000	12500	10
13	3000443	CF13CLT/E26	1.91	132.8	5.23	825	2700	85	10000	12500	10
Coilights™ Medium Screw Base – E26											
15	3000155	CF15CLT/E26	2.36	148	5.83	900	2700	85	10000	12500	10
20	3000156	CF20CLT/E26	2.36	158	6.22	1200	2700	85	10000	12500	10
23	3000157	CF23CLT/E26	2.36	167	6.57	1500	2700	85	10000	12500	10
26	3000444	CF26CLT/E26	2.36	173	6.81	1800	2700	85	10000	12500	10

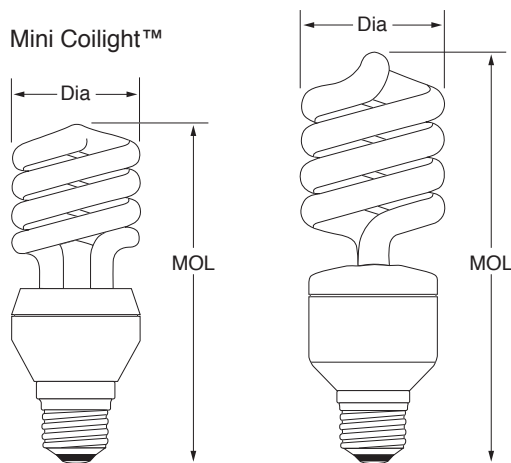
All dimensions shown in inches unless otherwise noted.

* Based on ANSI / IESNA standards of 3 hours per start

** Based on estimated commercial operating standards of 12 hours per start

Coilights™ are not designed for dimming circuits or photocells.
Coilights™ are not to be used in fully enclosed fixtures without adequate ventilation.

USHIO Coilight™ Series Fluorescent	Incandescent "A" Line Equivalent
Mini Coilight™	
CF9CLT/E26; 9W	40W incandescent
CF11CLT/E26; 11W	60W incandescent
CF13CLT/E26; 13W	75W incandescent
Coilight™	
CF15CLT/E26; 15W	75W incandescent
CF20CLT/E26; 20W	100W incandescent
CF23CLT/E26; 23W	120W incandescent
CF26CLT/E26; 26W	150W incandescent



E26

(Hg) - LAMP CONTAINS MERCURY
Manage in Accord with Disposal Laws
See: www.lamprecycle.org