

UMH SERIES

- High Efficacy
- Long Life
- Medium and Mogul Screw Base
- Universal Burn Position
- 65-75 Color Rendering Index

R
Please see Safety and Handling Instructions on page 89.



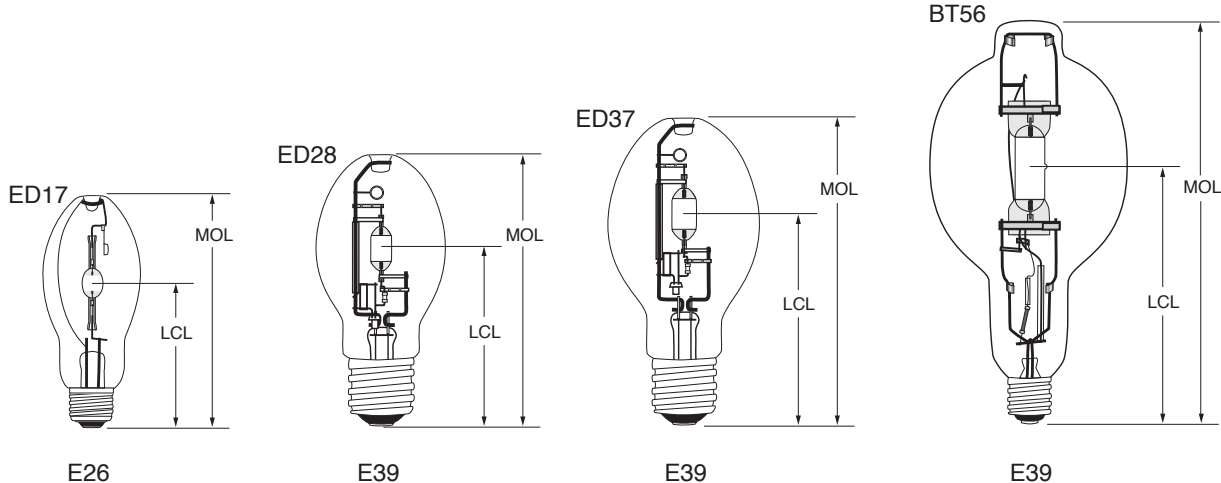
Watts	Ushio Ordering Code	Ushio Lamp Code	Dimensions				Color Temp K	Initial Lumens lm	Mean Lumens lm	Avg Life* h	ANSI Ballast/ Fixture	Case Qty
			MOL (mm)	MOL (in)	LCL (mm)	LCL (in)						
Medium Screw Base – E26												
50	5000230	UMH-50/U, ED17	138	5.44	86	3.4	4000	3400	2200	10000	M110/E	12
175	5000222	UMH-175/U/MD, ED17	138	5.44	86	3.4	4000	14000	10500	10000	M57/E	12
Mogul Screw Base – E39												
175	5000221	UMH-175/U, ED28	211	8.31	127	5.0	4000	13500	8700	10000	M57/E	12
250	5000224	UMH-250/C/U, ED28	211	8.31	127	5.0	3700	20000	13000	10000	M58/E	12
250	5000225	• UMH-250/U, ED28	211	8.31	127	5.0	4000	21000	13700	10000	M58/E	12
400	5000938	UMH-400/U, ED28	211	8.31	127	5.0	4000	34000	22000	20000	M59/E	6
400	5000227	UMH-400/U, ED37	292	11.50	178	7.0	4000	34000	22000	20000	M59/E	6
1000	5001139	○ UMH-1000/U, BT37	292	11.50	178	7.0	4000	105000	68300	12000	M47/E	6
1000	5000214	UMH-1000/U, BT56	391	15.38	241	9.5	4000	110000	71500	12000	M47/E	6
1500	5000217	○ UMH-1500/HBU, BT56	391	15.38	241	9.5	3400	161000	136000	3000	M47/E	6

* Average Life based upon Vertical operation and 10 hour duty cycle. Horizontal operation reduces life expectancy by approximately 25%

All dimensions shown in inches unless otherwise noted.

/E = Enclosed Fixture Required

- Bulb Type**
- Clear
 - Coated



(Hg) - LAMP CONTAINS MERCURY
Manage in Accord with Disposal Laws
See: www.lamprecycle.org

UMH SERIES

- High Efficacy
- Long Life
- Mogul Screw Base
- Horizontal Burn Position

- Warm White 65 Color Rendering Index

R
Please see Safety and Handling Instructions on page 89.



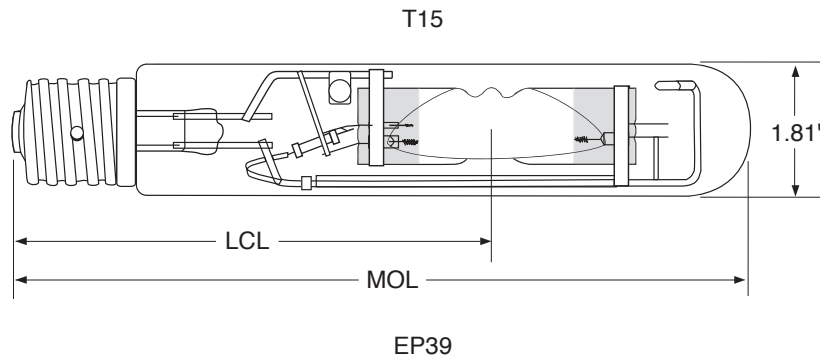
Watts	Ushio Ordering Code	Ushio Lamp Code	Lamp Current A	Dimensions				Color Temp K	Initial Lumens lm	Avg Life h	ANSI Ballast/ Fixture	Case Qty
				MOL (mm)	MOL (in)	LCL (mm)	LCL (in)					
Mogul Screw Base – EP39												
250	5001408	UMH-250/HOR/MOG/32/T15	2.15	215	8.44	146	5.75	3200	21000	10000	M58/E	12
400	5001409	UMH-400/HOR/MOG/32/T15	3.25	248	9.75	146	5.75	3200	38000	15000	M59/E	12

Ignition Voltage: 207V

Lamp Voltage: 250W = 118-148V; 400W = 115-145V

All dimensions shown in inches unless otherwise noted.

/E = Enclosed Fixture Required



Hg - LAMP CONTAINS MERCURY
Manage in Accord with Disposal Laws
See: www.lamprecycle.org