

PULSESTRIKE™ SERIES

- Formed Arc Tube Body
- High Efficacy
- Faster Warm-up Time
- Faster Re-strike Time
- Better Lumen Maintenance
- Better Color Performance & Uniformity
- Long Life
- Universal Burn Position

Please see Safety and Handling Instructions on page 89.



Watts	Ushio Ordering Code	Ushio Lamp Code	Bulb Type	Color Temp K	Initial Lumens Vert / Horiz Burn Position	Approx Mean Lumens Vert / Horiz Burn Position	Avg Life h	ANSI Ballast/ Fixture	Case Qty
Medium Screw Base – E26									
70	5001340	MH70/U/MED/32/PS	ED17	3200	6000 / 5250	4100 / 3400	15000*	M98/E	12
70	5001342	MP70/U/MED/32/PS	EDX17	3200	5500 / 5200	4100 / 3300	15000*	M98/O	12
70	5001344	MH70/U/MED/40/PS	ED17	4000	6000 / 4850	4100 / 3150	15000*	M98/E	12
70	5001346	MP70/U/MED/40/PS	EDX17	4000	5500 / 5150	4000 / 3550	15000*	M98/O	12
100	5001412	MH100/U/MED/32/PS	ED17	3200	9200 / 8550	6000 / 5750	15000*	M90/E	12
100	5001414	MP100/U/MED/32/PS	EDX17	3200	8800 / 8400	5700 / 5575	15000*	M90/O	12
100	5001348	MH100/U/MED/40/PS	ED17	4000	8500 / 8100	5300 / 5100	15000*	M90/E	12
100	5001350	MP100/U/MED/40/PS	EDX17	4000	8100 / 8050	4900 / 4800	15000*	M90/O	12
150	5001352	MH150/U/MED/32/PS	ED17	3200	14000 / 12500	9400 / 8600	15000*	M102/E	12
150	5001354	MP150/U/MED/32/PS	EDX17	3200	13300 / 12400	9200 / 8300	15000*	M102/O	12
150	5001356	MH150/U/MED/40/PS	ED17	4000	14000 / 12100	9700 / 9600	15000*	M102/E	12
150	5001358	MP150/U/MED/40/PS	EDX17	4000	12300 / 12200	9500 / 9400	15000*	M102/O	12

Burn Cycle:

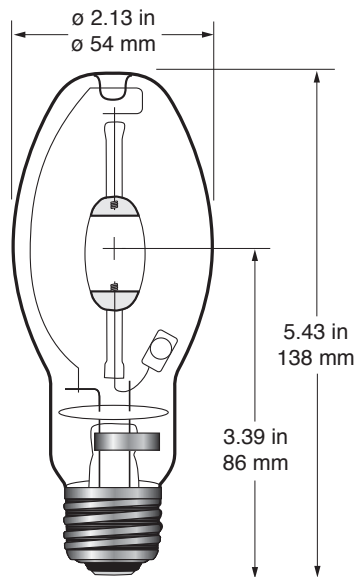
* 11 hours ON, 1 hour OFF
 ** 120 hours ON, 1 hour OFF
 (Lamp should be switched off for at least 15 minutes per week)

All dimensions shown in inches unless otherwise noted.

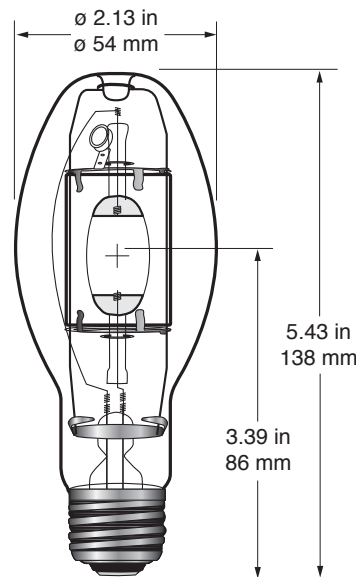
/E = Enclosed Fixture Required /O = Open Fixture Permissible

Color Rendering Index:

3200K & 4000K— 70 CRI
 4200K— 75CRI



E26
 ED17
 /E = Enclosed fixtures only



E26
 EDX17
 /O = Open or Enclosed fixtures

Hg - LAMP CONTAINS MERCURY
 Manage in Accord with Disposal Laws
 See: www.lamprecycle.org

PULSESTRIKE™ SERIES

- Formed Arc Tube Body
- High Efficacy
- Faster Warm-up Time
- Faster Re-strike Time
- Better Lumen Maintenance
- Better Color Performance & Uniformity
- Long Life
- Universal Burn Position

Please see Safety and Handling Instructions on page 89.



Watts	Ushio Ordering Code	Ushio Lamp Code	Bulb Type	Color Temp K	Initial Lumens Vert / Horiz Burn Position	Approx Mean Lumens Vert / Horiz Burn Position	Avg Life h	ANSI Ballast/ Fixture	Case Qty
Mogul Screw Base – E39, EX39									
250	5001360	MH250/U/MOG/40/PS	ED28	4000	25000 / 23500	19000 / 17500	15000*/20000**	M153/E	12
250	5001362	MP250/U/MOG/40/PS	ED28	4000	26000 / 24500	19500 / 18200	15000*/20000**	M153/O	12
320	5001364	MH320/U/MOG/40/PS	ED28	4000	32500 / 31500	25500 / 25000	20000*/30000**	M154/E	12
320	5001366	MP320/U/MOG/40/PS	ED28	4000	32500 / 30500	23000 / 22000	20000*/30000**	M154/O	12
350	5001368	MH350/U/MOG/40/PS	ED28	4000	37000 / 35500	28000 / 27000	20000*/30000**	M131/E	12
350	5001370	MP350/U/MOG/40/PS	ED28	4000	39000 / 36500	29000 / 26500	20000*/30000**	M131/O	12
400	5001372	MH400/U/MOG/40/PS	ED28	4000	40000 / 39000	32000 / 30000	20000*/30000**	M155/E	12
400	5001374	MP400/U/MOG/40/PS	ED28	4000	42000 / 41000	30500 / 30000	20000*/30000**	M155/O	12

Burn Cycle:

* 11 hours ON, 1 hour OFF

** 120 hours ON, 1 hour OFF

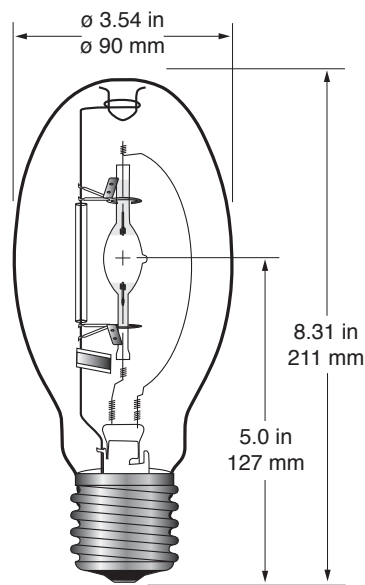
(Lamp should be switched off for at least 15 minutes per week)

All dimensions shown in inches unless otherwise noted.

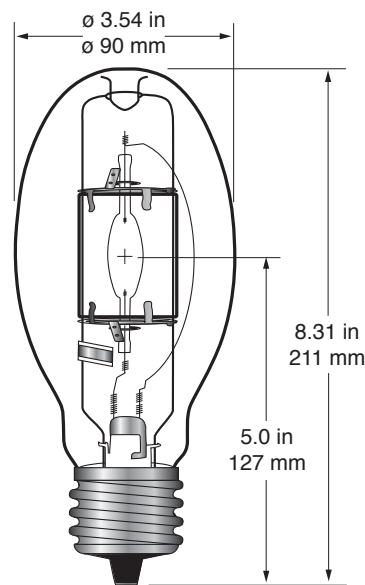
/E = Enclosed Fixture Required /O = Open Fixture Permissible

Color Rendering Index: 70 CRI

ED28
/E = Enclosed fixtures only



ED28
/O = Open or Enclosed fixtures



Hg - LAMP CONTAINS MERCURY
Manage in Accord with Disposal Laws
See: www.lamprecycle.org

R - NON SELF EXTINGUISHING LAMP WARNING: This lamp can cause serious skin burn and eye inflammation from shortwave ultraviolet radiation if outer envelope of the lamp is broken or punctured. Do not use where people will remain for more than a few minutes unless adequate shielding or other safety precautions are used. Lamps that will automatically extinguish when the outer envelope is broken or punctured are commercially available.