

# TUNGSTEN HALOGEN PAR

*Embracing Ambient Lighting*

The tungsten halogen PAR series carries a remarkable potential for different surroundings. These lamps thrive in various application settings such as hospitality and retail environments or even in an office. Whether used in spotlighting or indoor and outdoor flood lighting, it is clear that these PAR lamps are the quality lamps of choice. They bring a room to life in both downlight fixtures and track lighting. Set the perfect tone for any location with USHIO's halogen PAR lamps.



**ECO PLUS PAR**  
• PAR20, 30, 30LN & 38  
Pg88



**PAR36**  
Pg89



**PAR56**  
Pg90



**PAR64**  
Pg91

# TUNGSTEN HALOGEN PAR



## TUNGSTEN HALOGEN PAR LAMPS

### ECO PLUS PAR (PAR20, 30, 30LN & 38)

- Energy Savings
- Silver Coated Reflector for Improved Collection Efficiency
- Meets US Federal Minimum Efficiency Standard
- Medium Screw Base - E26
- Dimmable
- Mercury Free
- Universal Burn Position
- 120 Volts

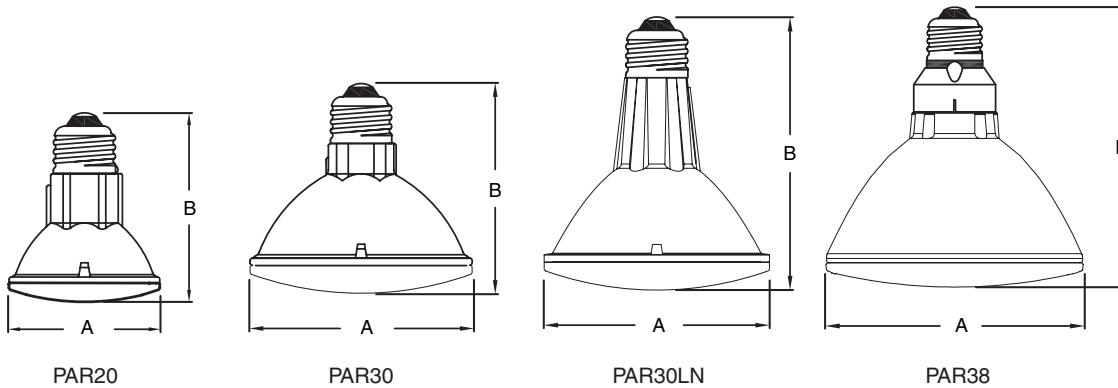


Watts (W)	Ordering Code	Lamp Description	Dimensions		Color Temp (K)	Beam		Approx. Lumens (lm)	Avg Life (h)	Case Qty
			Dia (A)	MOL (B)		Angle	Spread			
<b>ECO PLUS PAR20 Medium Screw Base – E26*</b>										
38	1003839	ⓔ 38PAR20/FL30/120V	2.50	3.25	2900	30°	Flood	500	2500	15
<b>ECO PLUS PAR30 Medium Screw Base – E26*</b>										
38	1003842	ⓔ 38PAR30/FL30/120V	3.75	3.63	2900	30°	Flood	530	2500	15
60	1003841	ⓔ 60PAR30/FL30/120V	3.75	3.63	2900	30°	Flood	1070	2000	15
<b>ECO PLUS PAR30 LONG NECK Medium Screw Base – E26*</b>										
38	1003844	ⓔ 38PAR30LN/FL30/120V	3.75	4.75	2900	30°	Flood	520	2500	15
60	1003843	ⓔ 60PAR30LN/FL30/120V	3.75	4.75	2900	30°	Flood	1070	2000	15
<b>ECO PLUS PAR38 Medium Screw Base – E26*</b>										
38	1003847	ⓔ 38PAR38/FL25/120V	4.75	5.31	2900	25°	Flood	550	2500	15
43	1003848	ⓔ 43PAR38/FL25/120V	4.75	5.31	2900	25°	Flood	700	2000	15
60	1003845	ⓔ 60PAR38/FL25/120V	4.75	5.31	2900	25°	Flood	1070	2000	15
70	1003846	ⓔ 70PAR38/FL25/120V	4.75	5.31	2900	25°	Flood	1310	2000	15

ⓔ = This bulb meets US Federal Minimum Efficiency Standard.

All dimensions shown in inches unless otherwise noted.

\* Only for use in approved Halogen fixtures.



**PAR36**

- Only for Use in Approved Halogen Fixtures
- Screw Terminal Base
- Flame Sealed Lens
- Low Voltage - 12 Volts
- Universal Burn Position



Watts (W)	Ordering Code	Lamp Description	Dimensions		Beam		Luminous Intensity (cd)	Avg Life (h)	Case Qty
			Dia (A)	MOL (B)	Angle	Spread			
<b>PAR36 Screw Terminal Base*</b>									
20	1003539	20PAR36/NSP8/12V	4.43	2.75	8°	Narrow Spot	3500	4000	12
20	1003532	20PAR36/NFL20/12V	4.43	2.75	20°	Narrow Flood	1300	4000	12
20	1003531	20PAR36/FL30/12V	4.43	2.75	30°	Flood	750	4000	12
35	1003535	35PAR36/NSP8/12V	4.43	2.75	8°	Narrow Spot	7500	4000	12
35	1003534	35PAR36/NFL20/12V	4.43	2.75	20°	Narrow Flood	2500	4000	12
35	1003533	35PAR36/FL30/12V	4.43	2.75	30°	Flood	1400	4000	12
50	1003538	50PAR36/NSP8/12V	4.43	2.75	8°	Narrow Spot	13500	4000	12
50	1003537	50PAR36/NFL20/12V	4.43	2.75	20°	Narrow Flood	5000	4000	12
50	1003536	50PAR36/FL30/12V	4.43	2.24	30°	Flood	2000	4000	12

\* These lamps are low voltage lamps and require a transformer to operate.

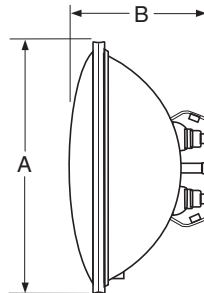
All dimensions shown in inches unless otherwise noted.

Ushio's halogen 12V PAR36 lamps are built to withstand the demanding conditions of landscape use while still providing optimum performance in track lighting and retail applications. With a life rating of 4,000 hours and a flame-sealed lens, these lamps are designed to last twice as long as incandescent lamps and are protected against the adverse affects of moisture.

Not only do these halogen lamps provide a longer life than incandescent lamps, they also offer up to 40% more energy savings compared to incandescents, improved lamp-to-lamp color consistency, and a brighter, whiter light source.

**Applications**

- Commercial Landscape Lighting
- Architectural Lighting
- Retail Lighting
- Track Lighting
- Restaurants



Screw Terminal

## TUNGSTEN HALOGEN PAR LAMPS

### PAR56

- Only for Use in Approved Halogen Fixtures
- PAR56 - 7" Diameter



Watts (W)	Ordering Code	Lamp Description	Dimensions		Approx Field Angle Degrees <sup>1</sup>	Approx Field Beam Degrees <sup>2</sup>	Approx Field Lumens (lm) <sup>3</sup>	Beam Spread	Color Temp (K)	Ave Life (h)	Case Qty
			Dia (A)	MOL (B)							
<b>PAR56 Mogul End Prong Base – GX16d</b>											
300	1001456	300PAR56/NSP	7.03	5.0	20x14	10x8	1800	Narrow Spot	2750	2000	12
300	1001453	300PAR56/MFL	7.03	5.0	34x19	23x11	2100	Medium Flood	2750	2000	8
300	1001457	300PAR56/WFL	7.03	5.0	57x27	37x18	2200	Wide Flood	2750	2000	12
500	1001282‡	Q500PAR56/NSP	7.03	5.0	32x15	13x8	4000	Narrow Spot	2950	4000	12
500	1001281	Q500PAR56/MFL	7.03	5.0	42x20	26x10	4800	Medium Flood	2950	4000	12
500	1001284	Q500PAR56/WFL	7.03	5.0	66x34	44x20	6400	Wide Flood	2950	4000	12

<sup>1</sup> Beam Spread at 10% peak candle power

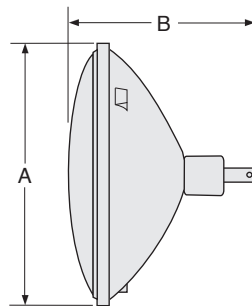
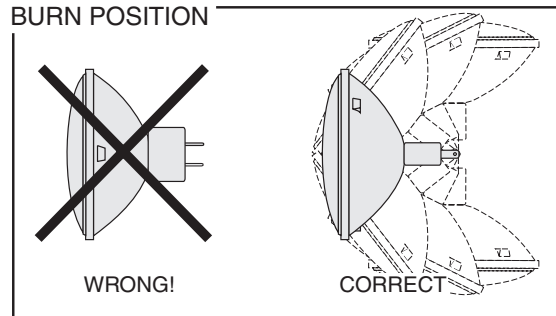
<sup>2</sup> Beam Spread at 50% peak candle power

<sup>3</sup> Measured within field angle

All dimensions shown in inches unless otherwise noted.

‡ Special Order Item.

The ceramic base should be oriented in a horizontal position as shown in illustration. This keeps the filament and halogen capsule in proper operating condition.



Mogul End Prong  
GX16d

**PAR64**

- Only for Use in Approved Halogen Fixtures
- PAR64 - 8" Diameter

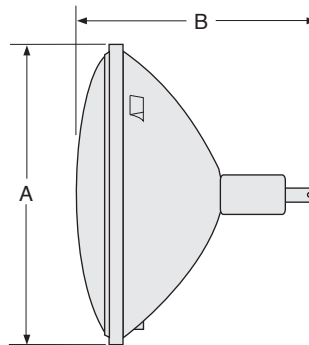
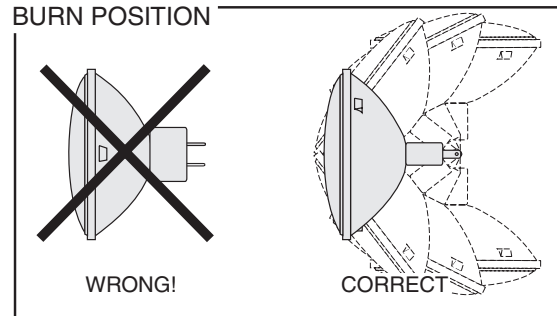


Watts (W)	Ordering Code	Lamp Description	Dimensions		Approx Field Lumens (lm) <sup>1</sup>	Beam Spread	Color Temp (K)	Ave Life (h)	Case Qty
			Dia (A)	MOL (B)					
<b>PAR64 Extended Mogul End Prong Base – GX16d</b>									
500	1001497	500PAR64/WFL	8.07	6.0	6500	Wide Flood	2850	2000	12

<sup>1</sup> Measured within field angle

All dimensions shown in inches unless otherwise noted.

The ceramic base should be oriented in a horizontal position as shown in illustration. This keeps the filament and halogen capsule in proper operating condition.



Extended Mogul End Prong  
GX16d