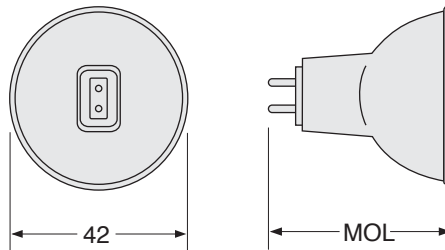


**JCR**

- Only for Use in Approved Enclosed Halogen Fixtures
- Focused Beam for Optical Applications
- 2-Pin Base - GX5.3
- 42mm Dichroic Coated Reflector
- Operate Base Down to Horizontal

| Watts                                     | Ushio Ordering Code | Ushio Lamp Description | Dimensions | Reflector Type | Filament Type | Working Distance mm | Center Screen Illuminance lx | Color Temp K | Avg Life h | Burn Position |
|---|---------------------|------------------------|------------|----------------|---------------|---------------------|------------------------------|--------------|------------|---------------|
|   |                     |                        | MOL mm     |                |               |                     |                              |              |            |               |
| <b>2-Pin Base – GX5.3 MR-13 Reflector</b> |                     |                        |            |                |               |                     |                              |              |            |               |
| 250                                       | 1000423             | EXY, JCR82V-250W       | 44.5       | Faceted        | CC-8          | 152.4               | 610                          | 3250         | 250        | BD/Hor        |
| 300                                       | 1000414             | EXR, JCR82V-300W       | 44.5       | Faceted        | CC-8          | 152.4               | 1100                         | 3350         | 35         | BD/Hor        |
| 300                                       | 1000421             | EXW, JCR82V-300W       | 44.5       | Faceted        | CC-8          | 152.4               | 1200                         | 3400         | 15         | BD/Hor        |
| 300                                       | 1000535             | FHS, JCR82V-300W       | 44.5       | Faceted        | CC-8          | 152.4               | 1000                         | 3300         | 70         | BD/Hor        |

Center Screen Illuminance - Approximate value for reference only



GX5.3

JCR

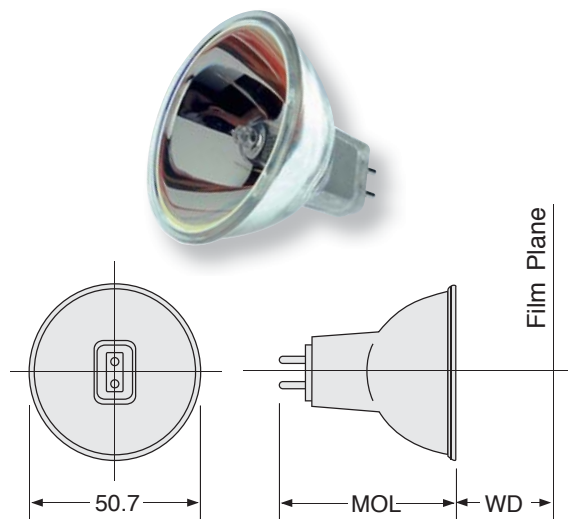
- Focused Beam for Optical Applications
- Only for Use in Approved Enclosed Halogen Fixtures
- 2-Pin Base - GX5.3
- 50mm Dichroic Coated Reflector



| Watts                          | Ushio Ordering Code | Ushio Lamp Description | Dimensions | Reflector Type | Filament Type | Working Distance mm | Luminous Intensity cd | Center Screen Illuminance lx | Color Temp K | Avg Life h | Burn Position |
|--------------------------------|---------------------|------------------------|------------|----------------|---------------|---------------------|-----------------------|------------------------------|--------------|------------|---------------|
|                                |                     |                        | MOL mm     |                |               |                     |                       |                              |              |            |               |
| <b>2-Pin Base – GX5.3 Base</b> |                     |                        |            |                |               |                     |                       |                              |              |            |               |
| 30                             | 1000315             | EKZ, JCR10.8V-30W      | 44.5       | Specular       | CC-6          | 38.1                | —                     | 400                          | 3100         | 200        | BD/Hor        |
| 30                             | 1000538             | FJX, JCR13.8V-30W*     | 44.5       | Faceted        | CC-6          | 108                 | —                     | —                            | 3150         | 500        | BD/Hor        |
| 35                             | 1000344             | EPN, JCR12V-35W        | 44.5       | Specular       | C-6           | 9.0                 | —                     | 350                          | 3300         | 50         | BD/Hor        |
| 42                             | 1000346             | EPT, JCR10.8V-42W      | 44.5       | Faceted        | CC-6          | 38.1                | —                     | 250                          | 2900         | 8000       | BD/Hor        |
| 50                             | 1000335             | ENL, JCR12V-50W        | 44.5       | Faceted        | C-6           | 38.1                | 2000                  | —                            | 3000         | 4000       | Univ          |
| 50                             | 1000197             | DJT, JCR13.8V-50W      | 44.5       | Faceted        | CC-6          | 152.0               | —                     | 538                          | 3150         | 1000       | BD/Hor        |
| 50                             | 1000350             | EPZ, JCR13.8V-50W      | 44.5       | Specular       | CC-6          | 108                 | —                     | —                            | 3150         | 1000       | BD/Hor        |
| 50                             | 1000546             | FML, JCR13.8V-50W      | 44.5       | Faceted        | CC-6          | 214.3               | —                     | 230                          | 3150         | 1000       | Univ          |
| 50                             | 1000339             | ENZ, JCR30V-50W        | 44.5       | Specular       | CC-6          | 29.0                | —                     | 650                          | 3400         | 25         | BD/Hor        |
| 80                             | 1000174             | DDM, JCR19V-80W        | 44.5       | Faceted        | CC-6          | 152.4               | —                     | 680                          | 3350         | 50         | BD/Hor        |
| 80                             | 1000303             | EJY, JCR19V-80W        | 44.5       | Specular       | CC-6          | 38.1                | —                     | —                            | 3400         | 25         | BD/Hor        |
| 80                             | 1000307             | EKG, JCR19V-80W        | 44.5       | Specular       | CC-6          | 44.5                | —                     | 700                          | 3400         | 25         | BD/Hor        |
| 80                             | 1000336             | ENW/ENC, JCR19V-80W    | 44.5       | Specular       | CC-6          | 44.5                | —                     | 600                          | 3200         | 400        | BD/Hor        |
| 80                             | 1000177             | DDS, JCR21V-80W        | 44.5       | Faceted        | CC-6          | 165.0               | —                     | 646                          | 3125         | 500        | BD/Hor        |
| 80                             | 1000312             | EKP, JCR30V-80W        | 44.5       | Faceted        | CC-6          | 44.5                | —                     | 750                          | 3400         | 25         | BD/Hor        |
| 80                             | 1000317             | ELB, JCR30V-80W        | 44.5       | Specular       | CC-6          | 29.0                | —                     | 900                          | 3400         | 15         | BD/Hor        |
| 85                             | 1000180             | DED, JCR13.8V-85W      | 44.5       | Specular       | C-8           | 165.0               | —                     | 1000                         | 3150         | 1000       | BD/Hor        |
| 90                             | 1000347             | EPV, JCR14.5V-90W      | 44.5       | Smooth         | CC-6          | 155.2               | —                     | 1345                         | 3150         | 500        | BD/Hor        |
| 90                             | 1000349             | EPX, JCR14.5V-90W      | 44.5       | Smooth         | CC-6          | 165.1               | —                     | 538                          | 3150         | 500        | BD/Hor        |
| 100                            | 1000326             | EMC, JCR12V-100W       | 44.5       | Faceted        | CC-6          | 26.5                | —                     | —                            | 3200         | 200        | BD/Hor        |
| 100                            | 1000420             | EXV, JCR12V-100W       | 44.5       | Faceted        | C-6           | —                   | 4500                  | —                            | 3350         | 50         | BD/Hor        |
| 120                            | 1000311             | EKN, JCR17.7V-120W     | 44.5       | Specular       | CC-6          | 38.1                | —                     | 1000                         | 3200         | 120        | BD/Hor        |

\* Special Order Item

Center Screen Illuminance - Approximate value for reference only



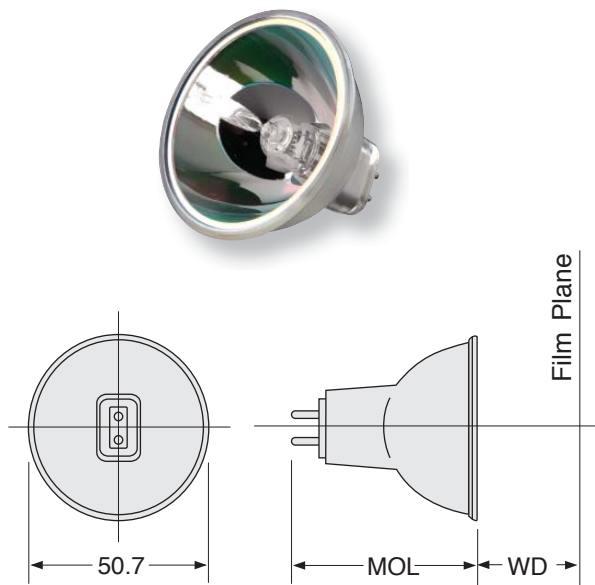
GX5.3

**JCR**

- Focused Beam for Optical Applications
- Only for Use in Approved Enclosed Halogen Fixtures
- 2-Pin Base - GX5.3
- 50mm Dichroic Coated Reflector

| Watts                          | Ushio Ordering Code | Ushio Lamp Description   | Dimensions | Reflector Type | Filament Type | Working Distance mm | Luminous Intensity cd | Center Screen Illuminance lx | Color Temp K | Avg Life h | Burn Position |
|--------------------------------|---------------------|--------------------------|------------|----------------|---------------|---------------------|-----------------------|------------------------------|--------------|------------|---------------|
|                                |                     |                          | MOL mm     |                |               |                     |                       |                              |              |            |               |
| <b>2-Pin Base – GX5.3 Base</b> |                     |                          |            |                |               |                     |                       |                              |              |            |               |
| 150                            | 1000173             | DDL, JCR20V-150W         | 44.5       | Faceted        | CC-6          | 194.5               | —                     | 400                          | 3150         | 500        | BD/Hor        |
| 150                            | 1001628             | EKE/HO, JCR21V-150W      | 44.5       | Specular       | CC-6          | 43.0                | —                     | —                            | 3250         | 200        | BD/Hor        |
| 150                            | 1000297             | EJA, JCR21V-150W         | 44.5       | Specular       | CC-6          | 28.0                | —                     | —                            | 3400         | 40         | BD/Hor        |
| 150                            | 1000301             | EJM, JCR21V-150W         | 44.5       | Specular       | CC-6          | 38.1                | —                     | —                            | 3400         | 40         | BD/Hor        |
| 150                            | 1000302             | EJV, JCR21V-150W         | 44.5       | Specular       | CC-6          | 44.5                | —                     | 1500                         | 3400         | 40         | BD/Hor        |
| 150                            | 1000306             | EKE, JCR21V-150W         | 44.5       | Specular       | CC-6          | 44.5                | —                     | 900                          | 3250         | 200        | BD/Hor        |
| 150                            | 1003370             | EKE/L, JCR21V-150W 10H/5 | 44.5       | Specular       | CC-6          | —                   | —                     | —                            | —            | 1000       | BD            |
| 150                            | 1000319             | ELD/EJN, JCR21V-150W     | 44.5       | Stippled       | CC-6          | 50.8                | —                     | 320                          | 3400         | 40         | BD/Hor        |
| 150                            | 1002247             | ELD/K, JCR21V-150W       | 44.5       | Stippled       | CC-6          | 165.0               | —                     | —                            | 3400         | 40         | BD/Hor        |
| 200                            | 1000300             | EJL, JCR24V-200W         | 44.5       | Specular       | CC-6          | 31.7                | —                     | 1100                         | 3400         | 50         | BD/Hor        |
| 200                            | 1000314             | EKX, JCR24V-200W         | 44.5       | Stippled       | CC-6          | 139.7               | —                     | —                            | 3400         | 25         | BD/Hor        |
| 225                            | 1003034             | EZF/K, JCR69V-225W       | 44.5       | Faceted        | CC-8          | 152.4               | —                     | 500                          | —            | 500        | BD/Hor        |
| 250                            | 1000318             | ELC, JCR24V-250W         | 44.5       | Specular       | CC-6          | 31.7                | —                     | 1500                         | 3400         | 50         | BD/Hor        |
| 250                            | 1003106             | ELC-3, JCR24V-250W       | 44.5       | Specular       | CC-6          | 31.8                | —                     | 960                          | 3400         | 300        | BD/Hor        |
| 250                            | 1003264             | ELC-5, JCR24V-250W       | 44.5       | Specular       | CC-6          | 31.8                | —                     | 960                          | 3400         | 500        | BD/Hor        |
| 250                            | 1001037             | ELC/C, JER24V-250W       | 44.5       | Specular       | CC-6          | 31.8                | —                     | 800                          | 3400         | 50         | BD/Hor        |

Center Screen Illuminance - Approximate value for reference only



GX5.3

**JCR**

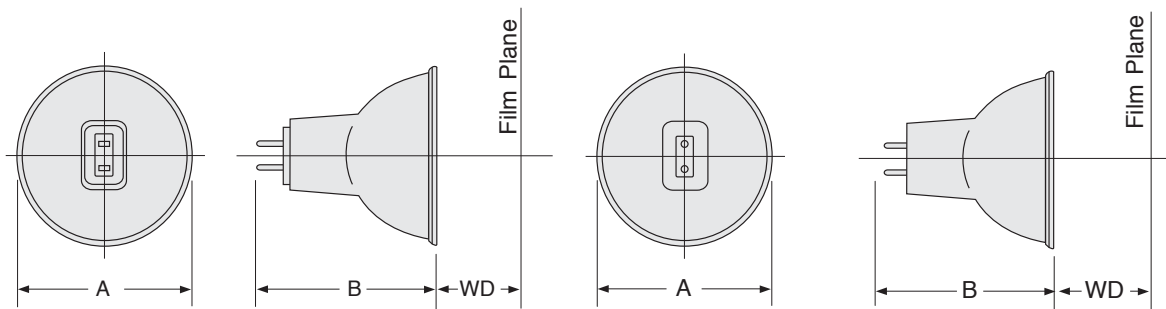
- Focused Beam for Optical Applications
- Only for Use in Approved Enclosed Halogen Fixtures
- Oval 2-Pin Base - GY5.3, 2-Pin Base - GZ6.35
- 50mm Dichroic Coated Reflector

● Operate Base Down to Horizontal



| Watts                          | Ushio Ordering Code | Ushio Lamp Description | Dimensions mm |         | Reflector Type | Filament Type | Working Distance mm | Color Temp K | Avg Life h | Burn Position |
|--------------------------------|---------------------|------------------------|---------------|---------|----------------|---------------|---------------------|--------------|------------|---------------|
|                                |                     |                        | Dia (A)       | MOL (B) |                |               |                     |              |            |               |
| <b>Oval 2-Pin Base – GY5.3</b> |                     |                        |               |         |                |               |                     |              |            |               |
| 85                             | 1000357             | ESH, JCR82V-85W        | 50.67         | 44.5    | Stippled       | CC-8          | 152.0               | 2950         | 250        | BD/Hor        |
| 85                             | 1000358             | ESJ, JER82V-85W        | 50.67         | 44.5    | Specular       | CC-8          | 32.0                | 3350         | 40         | BD/Hor        |
| 150                            | 1000356             | ESD, JCR120V-150W      | 50.67         | 44.5    | Stippled       | CC-8          | 44.5                | 3350         | 12         | BD/Hor        |
| 150                            | 1000940             | JCR120V-150W/B         | 50.67         | 44.5    | Stippled       | CC-8          | —                   | 3050         | 100        | BD/Hor        |
| 200                            | 1000441             | EYA, JCR82V-200W       | 50.67         | 44.5    | Faceted        | CC-8          | 38.1                | 3300         | 50         | BD/Hor        |
| 250                            | 1000386             | EVW, JCR82V-250W       | 50.67         | 44.5    | Faceted        | CC-8          | 298.5               | 3300         | 50         | BD/Hor        |
| 250                            | 1000333             | ENH, JCR120V-250W      | 50.67         | 44.5    | Faceted        | CC-8          | 152.4               | 3250         | 175        | BD/Hor        |
| 250                            | 1000379             | ETJ, JCR120V-250W      | 50.67         | 44.5    | Specular       | CC-8          | 36.5                | 3250         | 175        | BD/Hor        |
| 250                            | 1000422             | EXX, JCR120V-250W*     | 50.67         | 44.5    | Stippled       | CC-8          | 298.5               | 3300         | 75         | BD/Hor        |
| 300                            | 1000321             | ELH, JCR120V-300W      | 50.67         | 44.5    | Stippled       | CC-8          | 154.3               | 3350         | 35         | BD/Hor        |
| 300                            | 1000332             | ENG, JCR120V-300W      | 50.67         | 44.5    | Stippled       | CC-8          | 152.4               | 3450         | 15         | BD/Hor        |
| 300                            | 1000458             | EYK, JCR120V-300W      | 50.67         | 44.5    | Specular       | CC-8          | 31.7                | 3300         | 60         | BD/Hor        |
| 360                            | 1000542             | FLE, JCR82V-360W U/D   | 50.67         | 44.5    | Faceted        | CC-8          | 209.6               | 3300         | 75         | BD/Hor        |
| 360                            | 1000337             | ENX, JCR82V-360W       | 50.67         | 44.5    | Faceted        | CC-8          | 298.5               | 3300         | 75         | BD/Hor        |
| 360                            | 1000338             | ENX-5, JCR86V-360W     | 50.67         | 44.5    | Faceted        | CC-8          | 298.5               | 3300         | 75         | BD/Hor        |
| 410                            | 1000636             | FXL, JCR82V-410W       | 50.67         | 44.5    | Faceted        | CC-8          | 298.5               | 3300         | 75         | BD/Hor        |
| <b>2-Pin Base – GZ6.35</b>     |                     |                        |               |         |                |               |                     |              |            |               |
| 50                             | 1000268             | EFM, JCR8V-50W*        | 49.7          | 42.0    | —              | C-6           | 32.0                | 3350         | 50         | BD/Hor        |
| 75                             | 1000270             | EFN, JCR12V-75W        | 50.0          | 42.0    | Specular       | C-6           | 32.0                | 3400         | 50         | BD/Hor        |
| 100                            | 1000271             | EFP, JCR12V-100W       | 50.0          | 42.0    | Specular       | C-6           | 32.0                | 3400         | 50         | BD/Hor        |
| 100                            | 1003003             | JCR12V-100W/H10        | 50.0          | 42.0    | Specular       | C-8           | 36.0                | 3100         | 1000       | BD/Hor        |
| 150                            | 1000272             | EFR, JCR15V-150W       | 50.0          | 42.0    | Specular       | C-8           | 32.0                | 3400         | 50         | BD/Hor        |

\* Special Order Item



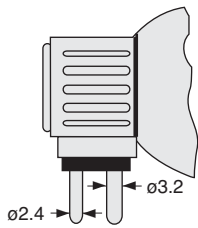
GY5.3

GZ6.35

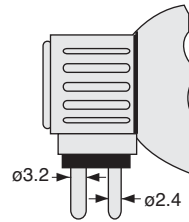
JCR

- Only for Use in Approved Enclosed Halogen Fixtures
- Operate in Horizontal Position
- 2-Pin Vented Base - G7.9
- 2-Pin Vented Base - GX7.9
- 45mm & 57mm Dichroic Coated Reflector

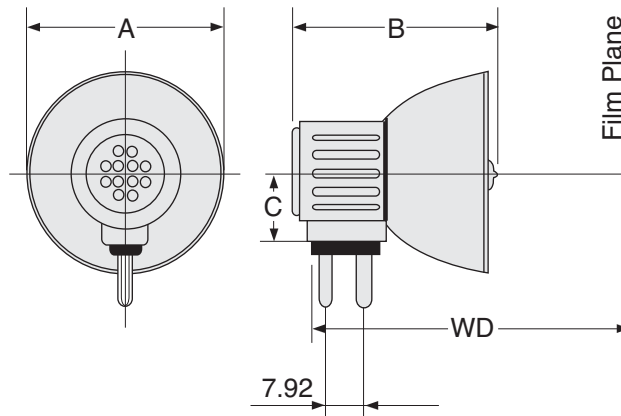
| Watts   | Ushio Ordering Code | Ushio Lamp Description | Dimensions mm |         |          | Reflector Type | Filament Type | Working Distance mm | Color Temp K | Avg Life h | Burn Position |
|---|---------------------|------------------------|---------------|---------|----------|----------------|---------------|---------------------|--------------|------------|---------------|
|   |                     |                        | Dia (A)       | MOL (B) | Ref. (C) |                |               |                     |              |            |               |
| <b>MR-14 &amp; MR-18, 2-Pin Vented Base – G7.9 Line Voltage</b> |                     |                        |               |         |          |                |               |                     |              |            |               |
| 150   | 1000206             | DNE, JCR120V-150W      | 57.2          | 49.9    | 15.9     | Specular       | CC-8          | 69.1                | 3350         | 12         | Horiz         |
| 250   | 1000057             | BHB, JCR120V-250W      | 44.5          | 47.5    | 15.9     | Specular       | CC-8          | 65.8                | 3400         | 50         | Horiz         |
| <b>MR-18, 2-Pin Vented Base – GX7.9 Low Voltage</b>             |                     |                        |               |         |          |                |               |                     |              |            |               |
| 150   | 1000207             | DNF, JCR21V-150W       | 57.2          | 45.1    | 15.9     | Specular       | CC-6          | 69.1                | 3400         | 25         | Horiz         |
| 150   | 1000325             | ELZ, JCR21V-150W       | 57.2          | 45.1    | 15.9     | Specular       | CC-6          | 69.1                | 3350         | 60         | Horiz         |



G7.9



GX7.9

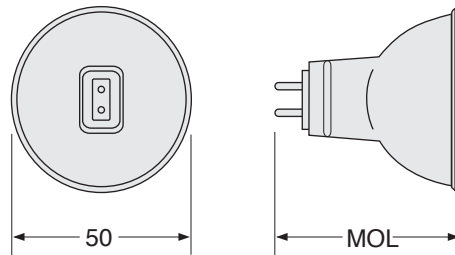


**JR 12V - EUROSTAR™ SERIES**

- Only for Use in Approved Halogen Fixtures
- Titanium Oxide Coated Reflector
- Axial Filament
- Low Voltage - 12 Volts
- Consistent Color
- Integrated UV Protection
- Precisely Focused Light Cone
- Cool Beam Effect
- Available with Front Glass Cover (FG)



| Watts                               | Ushio Ordering Code | Ushio Lamp Description        | Dimension | Filament Type | Beam  |           | Color Temp K | Avg Life h | Burn Position |
|-------------------------------------|---------------------|-------------------------------|-----------|---------------|-------|-----------|--------------|------------|---------------|
|                                     |                     |                               | MOL mm    |               | Angle | Max CP cd |              |            |               |
| <b>EUROSTAR™ 2-Pin Base – GU5.3</b> |                     |                               |           |               |       |           |              |            |               |
| 10                                  | 1001107             | JR12V-10W/NFL21               | 45.2      | C-8           | 21°   | 600       | 2800         | 1500       | Univ          |
| 10                                  | 1001108             | JR12V-10W/NFL21/FG            | 45.2      | C-8           | 21°   | 600       | 2800         | 1500       | Univ          |
| 10                                  | 1003154             | JR12V-10W/FL32                | 45.2      | C-8           | 32°   | 400       | 2800         | 1500       | Univ          |
| 20                                  | 1000366             | ESX, JR12V-20W/SP12           | 45.2      | C-8           | 12°   | 3500      | 2950         | 5000       | Univ          |
| 20                                  | 1000370             | ESX/FG, JR12V-20W/SP12/FG     | 45.2      | C-8           | 12°   | 3500      | 2950         | 5000       | Univ          |
| 20                                  | 1000028             | BBF, JR12V-20W/NFL24          | 45.2      | C-8           | 24°   | 1200      | 2950         | 5000       | Univ          |
| 20                                  | 1000037             | BBF/FG, JR12V-20W/NFL24/FG    | 45.2      | C-8           | 24°   | 1200      | 2950         | 5000       | Univ          |
| 20                                  | 1000000             | BAB, JR12V-20W/FL36           | 45.2      | C-8           | 36°   | 600       | 2950         | 5000       | Univ          |
| 20                                  | 1000014             | BAB/FG, JR12V-20W/FL36/FG     | 45.2      | C-8           | 36°   | 600       | 2950         | 5000       | Univ          |
| 20                                  | 1000001             | BAB/60, JR12V-20W/WFL60       | 45.2      | C-8           | 60°   | 270       | 2950         | 5000       | Univ          |
| 20                                  | 1000004             | BAB/60/FG, JR12V-20W/WFL60/FG | 45.2      | C-8           | 60°   | 270       | 2950         | 5000       | Univ          |
| 35                                  | 1000548             | FMT/FRB, JR12V-35W/SP12       | 45.2      | C-8           | 12°   | 6000      | 2950         | 5000       | Univ          |
| 35                                  | 1000551             | FMT/FG, JR12V-35W/SP12/FG     | 45.2      | C-8           | 12°   | 6000      | 2950         | 5000       | Univ          |
| 35                                  | 1000552             | FMV/FRA, JR12V-35W/NFL24      | 45.2      | C-8           | 24°   | 2300      | 2950         | 5000       | Univ          |
| 35                                  | 1000559             | FMV/FG, JR12V-35W/NFL24/FG    | 45.2      | C-8           | 24°   | 2300      | 2950         | 5000       | Univ          |
| 35                                  | 1000564             | FMW, JR12V-35W/FL36           | 45.2      | C-8           | 36°   | 1300      | 2950         | 5000       | Univ          |
| 35                                  | 1000573             | FMW/FG, JR12V-35W/FL36/FG     | 45.2      | C-8           | 36°   | 1300      | 2950         | 5000       | Univ          |
| 35                                  | 1000565             | FMW/60, JR12V-35W/WFL60       | 45.2      | C-8           | 60°   | 510       | 2950         | 5000       | Univ          |
| 35                                  | 1000566             | FMW/60/FG, JR12V-35W/WFL60/FG | 45.2      | C-8           | 60°   | 510       | 2950         | 5000       | Univ          |
| 50                                  | 1000416             | EXT, JR12V-50W/SP12           | 45.2      | C-8           | 12°   | 11000     | 3000         | 5000       | Univ          |
| 50                                  | 1000419             | EXT/FG, JR12V-50W/SP12/FG     | 45.2      | C-8           | 12°   | 11000     | 3000         | 5000       | Univ          |
| 50                                  | 1000424             | EXZ, JR12V-50W/NFL24          | 45.2      | C-8           | 24°   | 3600      | 3000         | 5000       | Univ          |
| 50                                  | 1000430             | EXZ/FG, JR12V-50W/NFL24/FG    | 45.2      | C-8           | 24°   | 3600      | 3000         | 5000       | Univ          |
| 50                                  | 1000398             | EXN, JR12V-50W/FL36           | 45.2      | C-8           | 36°   | 2000      | 3000         | 5000       | Univ          |
| 50                                  | 1000405             | EXN/FG, JR12V-50W/FL36/FG     | 45.2      | C-8           | 36°   | 2000      | 3000         | 5000       | Univ          |
| 50                                  | 1000589             | FNV, JR12V-50W/WFL60          | 45.2      | C-8           | 60°   | 850       | 3000         | 5000       | Univ          |
| 50                                  | 1000592             | FNV/FG, JR12V-50W/WFL60/FG    | 45.2      | C-8           | 60°   | 850       | 3000         | 5000       | Univ          |



GU5.3

JR 12V & 24V - EUROSTAR™ SERIES

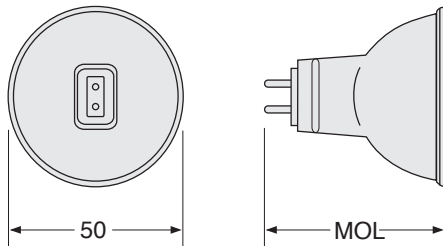
- Only for Use in Approved Halogen Fixtures
- Available with Front Glass Cover (/FG)
- 50mm Diameter Dichroic Coated Reflector
- Consistent Color
- 2-Pin Base - GU5.3, GX5.3
- 12 & 24 Volts



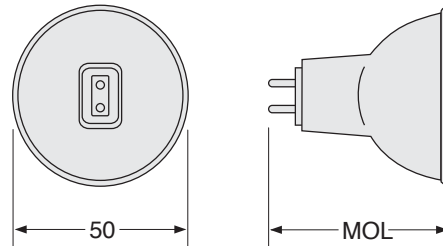
| Watts                                    | Ushio Ordering Code | Ushio Lamp Description         | Dimension | Filament Type | Beam  |           | Color Temp K | Avg Life h | Burn Position |
|--|---------------------|--------------------------------|-----------|---------------|-------|-----------|--------------|------------|---------------|
|  |                     |                                | MOL mm    |               | Angle | Max CP cd |              |            |               |
| <b>EUROSTAR™ 2-Pin Base – GU5.3</b>      |                     |                                |           |               |       |           |              |            |               |
| 75                                       | 1000451             | EYF, JR12V-75W/SP12            | 45.2      | C-8           | 12°   | 13000     | 3000         | 5000       | Univ          |
| 75                                       | 1000452             | EYF/FG, JR12V-75W/SP12/FG      | 45.2      | C-8           | 12°   | 13000     | 3000         | 5000       | Univ          |
| 75                                       | 1000454             | EYJ/EZZ, JR12V-75W/NFL24       | 45.2      | C-8           | 24°   | 4800      | 3050         | 5000       | Univ          |
| 75                                       | 1000455             | EYJ/EZZ/FG, JR12V-75W/NFL24/FG | 45.2      | C-8           | 24°   | 4800      | 3000         | 5000       | Univ          |
| 75                                       | 1000444             | EYC, JR12V-75W/FL36            | 45.2      | C-8           | 36°   | 2700      | 3000         | 5000       | Univ          |
| 75                                       | 1000447             | EYC/FG, JR12V-75W/FL36/FG      | 45.2      | C-8           | 36°   | 2700      | 3000         | 5000       | Univ          |
| 75                                       | 1000445             | EYC/60, JR12V-75W/WFL60        | 45.2      | C-8           | 60°   | 1220      | 3000         | 5000       | Univ          |
| 75                                       | 1000446             | EYC/60/FG, JR12V-75W/WFL60/FG  | 45.2      | C-8           | 60°   | 1220      | 3000         | 5000       | Univ          |
| <b>EUROSTAR™ 24V, 2-Pin Base – GU5.3</b> |                     |                                |           |               |       |           |              |            |               |
| 20                                       | 1001112             | JR24V-20W/SP12**               | 45.2      | C-6           | 12°   | 3500      | 2925         | 2500       | Univ          |
| 20                                       | 1001114             | JR24V-20W/FL36*                | 45.2      | C-6           | 36°   | 600       | 2925         | 2500       | Univ          |
| 35                                       | 1003110             | JR24V-35W/SP12**               | 45.2      | C-6           | 12°   | 4600      | 2900         | 3500       | Univ          |
| 35                                       | 1003111             | JR24V-35W/NFL24**              | 45.2      | C-6           | 24°   | 1600      | 2900         | 3500       | Univ          |
| 35                                       | 1003112             | JR24V-35W/FL36*                | 45.2      | C-6           | 36°   | 900       | 2900         | 3500       | Univ          |
| 50                                       | 1003113             | JR24V-50W/SP12*                | 45.2      | C-6           | 12°   | 7000      | 2950         | 4000       | Univ          |
| 50                                       | 1003114             | JR24V-50W/NFL24*               | 45.2      | C-6           | 24°   | 2900      | 2950         | 4000       | Univ          |
| 50                                       | 1003115             | JR24V-50W/FL36*                | 45.2      | C-6           | 36°   | 1600      | 2950         | 4000       | Univ          |
| 75                                       | 1003281             | JR24V-75W/FL36/FG              | 45.2      | C-6           | 36°   | 2500      | 2900         | 3000       | Univ          |
| <b>EUROSTAR™ 2-Pin Base – GX5.3</b>      |                     |                                |           |               |       |           |              |            |               |
| 42                                       | 1000461             | EYR, JR12V-42W/SP12            | 46.0      | CC-6          | 12°   | 9000      | 3000         | 4000       | Univ          |
| 42                                       | 1000462             | EYS, JR12V-42W/NFL23           | 46.0      | CC-6          | 23°   | 2800      | 3000         | 4000       | Univ          |
| 42                                       | 1000460             | EYP, JR12V-42W/FL38            | 46.0      | CC-6          | 38°   | 1400      | 3000         | 4000       | Univ          |
| 65                                       | 1000595             | FPA, JR12V-65W/SP13            | 46.0      | CC-6          | 13°   | 11500     | 3050         | 4000       | Univ          |
| 65                                       | 1000596             | FPB, JR12V-65W/FL38            | 46.0      | CC-6          | 38°   | 2000      | 3050         | 4000       | Univ          |

\* Front glass versions available

\* Special Order Item



GU5.3



GX5.3

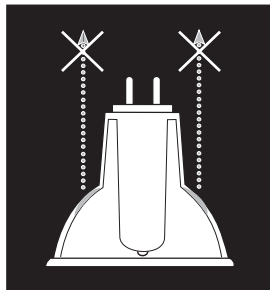
**EUROSTAR™ REFLEKTO™ SERIES**

- Only for Use in Approved Halogen Fixtures
- Axial Filament
- Universal Burn Position
- Aluminized Multimirror Reflector
- Consistent Color
- Available with Front Glass Cover (/FG)
- Low Voltage - 12 Volts
- Integrated UV Protection
- Less heat to back of the lamp
- Precisely Focused Light Cone



| Watts   | Ushio Ordering Code | Ushio Lamp Description               | Dimension | Color  | Beam  |              |           | Avg Life h |
|---|---------------------|--------------------------------------|-----------|--------|-------|--------------|-----------|------------|
|   |                     |                                      | MOL mm    | Temp K | Angle | Spread       | Max CP cd |            |
| <b>EUROSTAR™ REFLEKTO™ Multimirror Reflector 2-Pin Base – GU5.3</b> |                     |                                      |           |        |       |              |           |            |
| 10  | 1002143             | JR12V-10W/NFL24/A, EUROSTAR-REFLEKTO | 45.2      | 2800   | 24°   | Narrow Flood | 400       | 1200       |
| 20  | 1000368             | ESX/C/A, EUROSTAR-REFLEKTO           | 45.2      | 2950   | 12°   | Spot         | 3500      | 3500       |
| 20  | 1000369             | ESX/C/A/FG, EUROSTAR-REFLEKTO        | 45.2      | 2950   | 12°   | Spot         | 3500      | 3500       |
| 20  | 1000033             | BBF/C/A/FG, EUROSTAR-REFLEKTO        | 45.2      | 2950   | 24°   | Narrow Flood | 1200      | 3500       |
| 20  | 1000009             | BAB/C/A, EUROSTAR-REFLEKTO           | 45.2      | 2950   | 36°   | Flood        | 600       | 3500       |
| 20  | 1000010             | BAB/C/A/FG, EUROSTAR-REFLEKTO        | 45.2      | 2950   | 36°   | Flood        | 600       | 3500       |
| 35  | 1000549             | FMT/C/A, EUROSTAR-REFLEKTO           | 45.2      | 2950   | 12°   | Spot         | 6000      | 3500       |
| 35  | 1000550             | FMT/C/A/FG, EUROSTAR-REFLEKTO        | 45.2      | 2950   | 12°   | Spot         | 6000      | 3500       |
| 35  | 1000556             | FMV/C/A, EUROSTAR-REFLEKTO           | 45.2      | 2950   | 24°   | Narrow Flood | 2300      | 3500       |
| 35  | 1000557             | FMV/C/A/FG, EUROSTAR-REFLEKTO        | 45.2      | 2950   | 24°   | Narrow Flood | 2300      | 3500       |
| 35  | 1000570             | FMW/C/A, EUROSTAR-REFLEKTO           | 45.2      | 2950   | 36°   | Flood        | 1300      | 3500       |
| 35  | 1000571             | FMW/C/A/FG, EUROSTAR-REFLEKTO        | 45.2      | 2950   | 36°   | Flood        | 1300      | 3500       |
| 35  | 1001682             | FMW/60/C/A, EUROSTAR-REFLEKTO        | 45.2      | 2950   | 60°   | Wide Flood   | 510       | 3500       |
| 35  | 1001683             | FMW/60/C/A/FG, EUROSTAR-REFLEKTO     | 45.2      | 2950   | 60°   | Wide Flood   | 510       | 3500       |
| 50  | 1000417             | EXT/C/A, EUROSTAR-REFLEKTO           | 45.2      | 3000   | 12°   | Spot         | 11000     | 3500       |
| 50  | 1000418             | EXT/C/A/FG, EUROSTAR-REFLEKTO        | 45.2      | 3000   | 12°   | Spot         | 11000     | 3500       |
| 50  | 1000427             | EXZ/C/A, EUROSTAR-REFLEKTO           | 45.2      | 3000   | 24°   | Narrow Flood | 3600      | 3500       |
| 50  | 1000428             | EXZ/C/A/FG, EUROSTAR-REFLEKTO        | 45.2      | 3000   | 24°   | Narrow Flood | 3600      | 3500       |
| 50  | 1000402             | EXN/C/A, EUROSTAR-REFLEKTO           | 45.2      | 3000   | 36°   | Flood        | 2000      | 3500       |
| 50  | 1000403             | EXN/C/A/FG, EUROSTAR-REFLEKTO        | 45.2      | 3000   | 36°   | Flood        | 2000      | 3500       |
| 50  | 1000590             | FNV/C/A, EUROSTAR-REFLEKTO           | 45.2      | 3000   | 60°   | Wide Flood   | 850       | 3500       |
| 50  | 1000591             | FNV/C/A/FG, EUROSTAR-REFLEKTO        | 45.2      | 3000   | 60°   | Wide Flood   | 850       | 3500       |

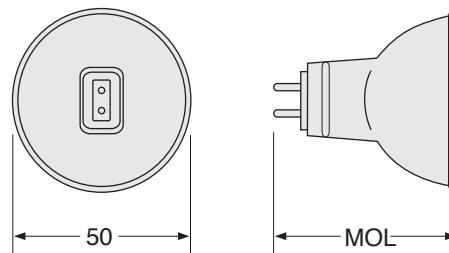
**Refleкто™** lamps are made with an aluminum dichroic deposition process for an 80% reduction in heat emission through the back of the lamp.



With no light diffusion from back-spill, all visible light is projected through the front of the lamp. Excellent for high light output requirements.



**60° Beam Spread**



**GU5.3**



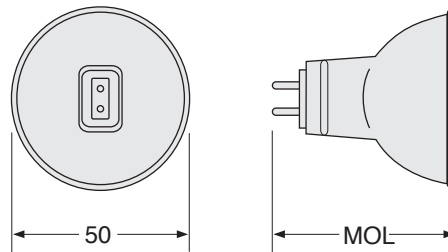
**EUROSTAR™ IR SERIES**

- IR Technology Provides Up to 30% Energy-Savings
- Long Life 6,000 Hours Average Life
- 50mm Diameter Multi-layer Titanium Oxide Coating
- UV-Cut Halogen Capsule
- Universal Burn Position

| Watts                                  | Ushio Ordering Code | Ushio Lamp Description | Dimension | Color Temp K | Beam  |              | Avg Life h |           |
|--|---------------------|------------------------|-----------|--------------|-------|--------------|------------|-----------|
|  |                     |                        | MOL mm    |              | Angle | Spread       |            | Max CP cd |
| <b>EUROSTAR™ IR 2-Pin Base – GU5.3</b> |                     |                        |           |              |       |              |            |           |
| 37                                     | 1003706             | JR12V-37W/SP/FG/IR     | 50.5      | 3000         | 9°    | Spot         | 13000      | 6,000     |
| 37                                     | 1003705             | JR12V-37W/NFL/FG/IR    | 50.5      | 3000         | 25°   | Narrow Flood | 4400       | 6,000     |
| 37                                     | 1003704             | JR12V-37W/FL/FG/IR     | 50.5      | 3000         | 35°   | Flood        | 2200       | 6,000     |
| 37                                     | 1003707             | JR12V-37W/WFL/FG/IR    | 50.5      | 3000         | 60°   | Wide Flood   | 1100       | 6,000     |
| 50                                     | 1003710             | JR12V-50W/SP/FG/IR     | 50.5      | 3000         | 9°    | Spot         | 15500      | 6,000     |
| 50                                     | 1003709             | JR12V-50W/NFL/FG/IR    | 50.5      | 3000         | 25°   | Narrow Flood | 5700       | 6,000     |
| 50                                     | 1003708             | JR12V-50W/FL/FG/IR     | 50.5      | 3000         | 35°   | Flood        | 2800       | 6,000     |
| 50                                     | 1003711             | JR12V-50W/WFL/FG/IR    | 50.5      | 3000         | 60°   | Wide Flood   | 1400       | 6,000     |



The exceptional performance of the Eurostar™ IR lamps is a direct result of the unique capsule design and the thin film coatings that allow visible light to pass through the glass envelope while reflecting the infrared energy back to the filament. Because of this, the capsule maintains an optimum operating temperature and reduces the energy used by the lamp.



GU5.3

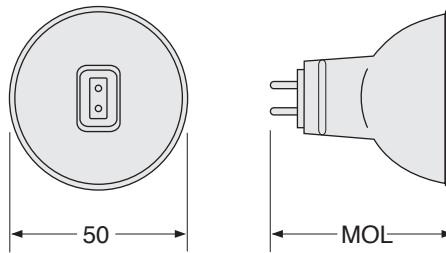
**EUROSAVER™ SERIES**

- Up to 30% Energy-Savings
- Only for Use in Approved Halogen Fixtures
- 50mm Diameter Multi-layer Titanium Oxide Coating
- UV-Cut Halogen Capsule
- 12 Volts
- 2-Pin Base - GU5.3
- Universal Burn Position
- Integrated Front Glass Cover (/FG)

| Watts                                | Ushio Ordering Code | Ushio Lamp Description | Dimension | Color  | Beam  |              | Avg Life h |           |
|--------------------------------------|---------------------|------------------------|-----------|--------|-------|--------------|------------|-----------|
|                                      |                     |                        | MOL mm    | Temp K | Angle | Spread       |            | Max CP cd |
| <b>EUROSAVER™ 2-Pin Base – GU5.3</b> |                     |                        |           |        |       |              |            |           |
| 35                                   | 1003673             | FMT/FG/EUROSAVER       | 45.20     | 3000   | 9°    | Spot         | 11000      | 4000      |
| 35                                   | 1003674             | FMV/FG/EUROSAVER       | 45.20     | 3000   | 20°   | Narrow Flood | 3600       | 4000      |
| 35                                   | 1003676             | FMW/FG/EUROSAVER       | 45.20     | 3000   | 32°   | Flood        | 2000       | 4000      |
| 35                                   | 1003675             | FMW/50/FG/EUROSAVER    | 45.20     | 3000   | 50°   | Wide Flood   | 850        | 4000      |
| 50                                   | 1003690             | EXT/FG/EUROSAVER       | 45.20     | 3000   | 9°    | Spot         | 13000      | 4000      |
| 50                                   | 1003691             | EXZ/FG/EUROSAVER       | 45.20     | 3000   | 20°   | Narrow Flood | 4800       | 4000      |
| 50                                   | 1003689             | EXN/FG/EUROSAVER       | 45.20     | 3000   | 32°   | Flood        | 2700       | 4000      |
| 50                                   | 1003692             | FNV/FG/EUROSAVER       | 45.20     | 3000   | 50°   | Wide Flood   | 1220       | 4000      |



**Eurosaver™** energy-saving halogen MR-16 lamps allow users the flexibility of choosing an energy-saving option or an increased brightness alternative.



GU5.3

**SPECIALTY LAMPS**

- Only for Use in Approved Halogen Fixtures
- 50mm Diameter Multilens Reflector
- UV-Cut Halogen Capsule
- Low Voltage - 12 Volts
- 2-Pin Base - GU5.3
- Universal Burn Position
- Integrated Front Glass Cover (/FG)

| Watts   | Ushio Ordering Code | Ushio Lamp Description    | Dimension | Color   | Beam  |              | Avg Life h |           |
|---|---------------------|---------------------------|-----------|---------|-------|--------------|------------|-----------|
|   |                     |                           | MOL mm    | Temp K  | Angle | Spread       |            | Max CP cd |
| <b>WHITESTAR™ High Color Temperature 2-Pin Base – GU5.3</b> |                     |                           |           |         |       |              |            |           |
| 35  | 1003340             | FMW/FG/WS/4200, WHITESTAR | 45.2      | 4200    | 36°   | Flood        | 600        | 4000      |
| 35  | 1003341             | FMW/FG/WS/5300, WHITESTAR | 45.2      | 5300    | 36°   | Flood        | 500        | 4000      |
| 50  | 1002286             | EXZ/FG/WS/4200, WHITESTAR | 45.2      | 4200    | 24°   | Narrow Flood | 2000       | 4000      |
| 50  | 1002249             | EXN/FG/WS/4200, WHITESTAR | 45.2      | 4200    | 36°   | Flood        | 1200       | 4000      |
| 50  | 1002287             | EXT/FG/WS/4700, WHITESTAR | 45.2      | 4700    | 12°   | Spot         | 5000       | 4000      |
| 50  | 1003225             | EXN/FG/WS/5300, WHITESTAR | 45.2      | 5300    | 36°   | Flood        | 600        | 4000      |
| 50  | 1003224             | EXZ/FG/WS/5300, WHITESTAR | 45.2      | 5300    | 24°   | Narrow Flood | 1100       | 4000      |
| 50  | 1003226             | EXT/FG/WS/6500, WHITESTAR | 45.2      | 6500    | 12°   | Spot         | 3300       | 4000      |
| <b>POPSTAR™ Colored Dichroic Lens 2-Pin Base – GU5.3</b>    |                     |                           |           |         |       |              |            |           |
| 50  | 1000580             | FNC/FG, JR12V-50W/FG      | 45.2      | Yellow  | 12°   | Spot         | 9000       | 4000      |
| 50  | 1000582             | FND/FG, JR12V-50W/FG      | 45.2      | Red     | 12°   | Spot         | 2000       | 4000      |
| 50  | 1000584             | FNE/FG, JR12V-50W/FG      | 45.2      | Green   | 12°   | Spot         | 4400       | 4000      |
| 50  | 1000586             | FNF/FG, JR12V-50W/FG      | 45.2      | Blue    | 12°   | Spot         | 2200       | 4000      |
| 50  | 1003132             | EXT/OR/FG, JR12V-50W/FG   | 45.2      | Orange  | 12°   | Spot         | 5000       | 4000      |
| 50  | 1003200             | EXT/MG/FG, JR12V-50W/FG   | 45.2      | Magenta | 12°   | Spot         | 4400       | 4000      |

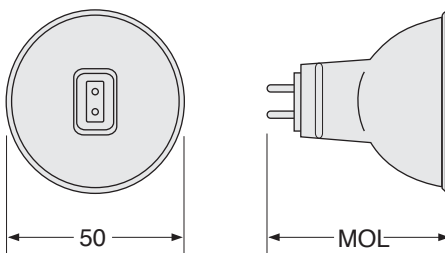


WHITESTAR™



POPSTAR™

**Whitestar™ 4200K** lamp was designed to provide a full spectrum MR-16 for display and task lighting. This high color temperature lamp projects a high luminous intensity with low ultraviolet and infrared emissions to protect artwork and valuable merchandise.



GU5.3