

# LOW PRESSURE UV

## *Germicidal Lamps*

USHIO germicidal lamps are low pressure UV lamps that emit radiation peaking at 253.7nm (UV-C).

Designed by experienced engineers, and by using quality material in combination with a tightly controlled manufacturing process, we provide high quality lamps free of impurities to maintain strong and stable output throughout the life of the lamp.

Our germicidal lamps are manufactured at an ISO 9001 certified facility. Emphasis on quality control and our large production capacity makes us an ideal OEM partner for providing consistent quality lamps with reliable delivery.

These lamps are components which may be used by customers to manufacture a variety of finished products.



**Linear Tube**



**Double Tube**

# LOW PRESSURE UV



## LOW PRESSURE UV LAMPS

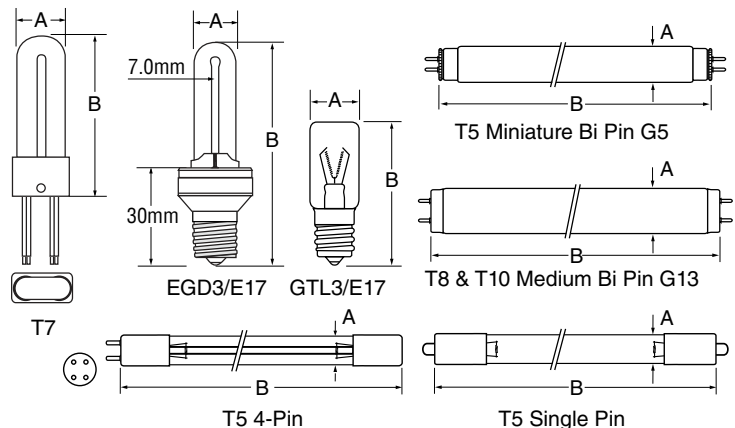
### LINEAR

- Low Mercury Dose to Meet Environmental Demands
- High Purity Lamp Construction
- Stabilized UV Output < 25% Depreciation
- Flexible Design Capabilities

Watts (W)	Ordering Code	Lamp Description	Volts (V)	Lamp Current (A)	Dimensions				Spectral Peak (nm)	UV Output (W)	Avg Life (h)
					Dia (A)		Length (B)				
					(mm)	(in)	(mm)	(in)			
<b>T7</b>											
2.3	3000667	GUL3	28	0.085	19.0	0.75	61.5	2.42	253.7	0.54	3000
<b>GTL3 Replacement with Ballast E17 Base</b>											
3.4	3000666	EGD3	115	0.050	17.7	0.70	90.0	3.54	253.7	0.5	6000
<b>Mini Bowl Intermediate Screw E17 Base</b>											
3.0	3000022	GTL3	10.5	0.300	20.0	0.79	63.0	2.48	253.7	0.2	3000
<b>T5 - Miniature Bi Pin G5 Base</b>											
4.5	3000013	G4T5	29	0.170	15.5	0.61	134.5	5.30	253.7	0.8	6000
6.0	3000015	G6T5	42	0.160	15.5	0.61	210.5	8.29	253.7	1.8	8000
7.2	3000016	G8T5	57	0.145	15.5	0.61	287.0	11.30	253.7	2.2	8000
16.0	3000311	G16T5	50	0.350	15.5	0.61	287.0	11.30	253.7	3.2	8000
<b>T8 - Medium Bi Pin G13 Base</b>											
9.5	3000006	G10T8	46	0.230	25.5	1.00	330.0	12.99	253.7	2.7	8000
15.0	3000007	G15T8	55	0.305	25.5	1.00	436.0	17.17	253.7	4.9	8000
25.0	3000008	G25T8	46	0.600	25.5	1.00	436.0	17.17	253.7	6.9	8000
30.5	3000009	G30T8	99	0.355	25.5	1.00	893.0	35.16	253.7	13.9	8000
<b>T10 - Medium Bi Pin G13 Base</b>											
19.0	3000314	G20T10	58	0.360	32.5	1.28	588.5	23.17	253.7	7.5	8000
39.5	3000315	G40T10	106	0.420	32.5	1.28	1198.0	47.17	253.7	19.8	8000
<b>T5 - Single Pin</b>											
16.0	3000338	G10T5L	55	0.425	15.5	0.61	357.0	14.06	253.7	5.3	9000
39.0	3000312	G36T5L	115	0.425	15.5	0.61	846.0	33.31	253.7	13.0	9000
65.0	3000313	G64T5L	250	0.425	15.5	0.61	1553.6	61.17	253.7	27.0	9000
<b>T5 - Single Pin - Quartz</b>											
39.0	3000010	G36T5L	120	0.425	15.0	0.59	846.0	33.31	253.7	—	9000
65.0	3000014	G64T5L	220	0.425	15.0	0.59	1572.0	61.89	253.7	—	7500
<b>T5 - Single Pin - Ozone</b>											
39.0	3000011	G36T5VH	120	0.425	15.0	0.59	860.0	33.86	253.7	—	7500
65.0	3000242	G64T5VH	220	0.425	15.0	0.59	1554.0	61.18	253.7	25.0	9000
<b>T5 - 4-Pin Base</b>											
14.0	3000348	G14T5L/4P (GPH287)	40	0.400	15.5	0.61	287.0	11.30	253.7	3.0	8000
22.0	3000350	G22T5L/4P (GPH436)	62	0.420	15.5	0.61	436.0	17.16	253.7	7.0	8000
39.0	3000343	G36T5L/4P	115	0.425	15.5	0.61	846.0	33.31	253.7	13.0	9000
<b>T5 - 4-Pin Base - Quartz</b>											
16.0	3000425	G10T5L/4P	55	0.425	15.0	0.59	357.0	14.06	253.7	5.7	9000
65.0	3000423	G64T5L/4P	220	0.425	15.0	0.59	1554.0	61.18	253.7	25.0	9000

Average lamp life and output measurements taken under laboratory conditions in open air.  
Lamps are cycled for 2hrs 45minutes on / 15minutes off when testing life and output.  
Lamp data is for reference only. Actual lamp performance depends on system design and operating conditions.

**WARNING:** Protect your eyes and skin when operating Germicidal lamps.  
Equipment should be designed to completely screen or filter UV-C radiation.



**Hg** - LAMP CONTAINS MERCURY

Manage in Accord with Disposal Laws. Visit [www.lamprecycle.org](http://www.lamprecycle.org) or call 800.895.8842.

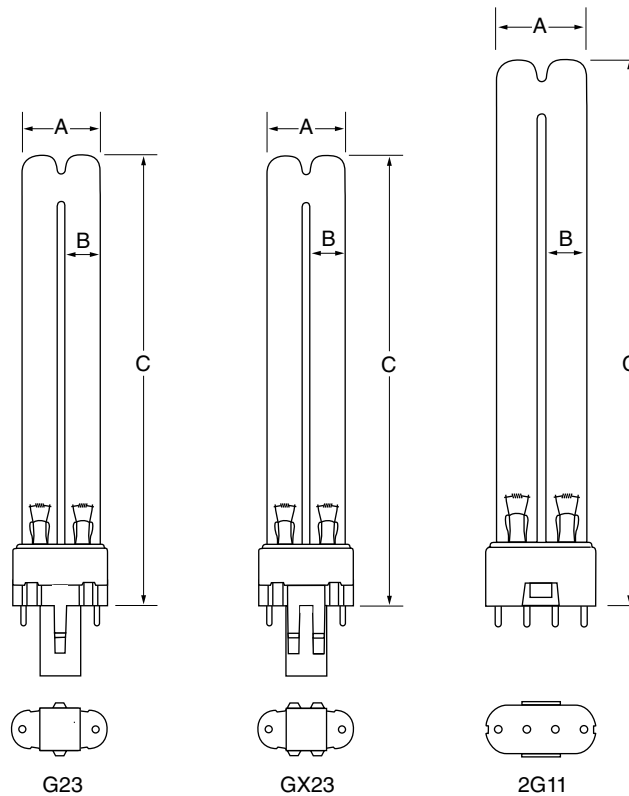
**DOUBLE TUBE**

- Air Purification
- High Power Compact Design

Watts (W)	Ordering Code	Lamp Description	Volts (V)	Lamp Current (A)	Dimensions						Spectral Peak (nm)	UV Output (W)	Avg Life (h)	Base Type
					Dia (A)		Dia (B)		Length (C)					
<b>G23 &amp; GX23 Base</b>														
5.5	3000321	GPX5	35	0.180	28.0	1.10	13.0	0.51	85.0	3.35	253.7	1.2	8000	G23
9.0	3000304	GPX9	59	0.180	28.0	1.10	13.0	0.51	145.0	5.71	253.7	2.4	8000	G23
13.4	3000323	GPX13	59	0.285	28.0	1.10	13.0	0.51	170.0	6.69	253.7	3.6	8000	GX23
<b>2G11 Base</b>														
18.0	3000324	GPL18K	58	0.375	40.0	1.57	20.0	0.79	225.0	8.86	253.7	5.5	8000	2G11
36.0	3000339	GPL36K	106	0.435	40.0	1.57	20.0	0.79	415.0	16.33	253.7	12.0	8000	2G11

Average lamp life and output measurements taken under laboratory conditions in open air. Lamps are cycled for 2 hours 45 minutes on / 15 minutes off when testing life and output. Lamp data is for reference only. Actual lamp performance depends on system design and operating conditions.

**WARNING:** Protect your eyes and skin when operating Germicidal lamps. Equipment should be designed to completely screen or filter UV-C radiation.



**(Hg) - LAMP CONTAINS MERCURY**

Manage in Accord with Disposal Laws. Visit [www.lamprecycle.org](http://www.lamprecycle.org) or call 800.895.8842.