



US007792003B2

(12) **United States Patent**
Volodin et al.

(10) **Patent No.:** **US 7,792,003 B2**
(45) **Date of Patent:** **Sep. 7, 2010**

(54) **METHODS FOR MANUFACTURING VOLUME BRAGG GRATING ELEMENTS**

(75) Inventors: **Boris Leonidovich Volodin**, West Windsor, NJ (US); **Sergei Dolgy**, Lambertville, NJ (US); **Vladimir S. Ban**, Princeton, NJ (US)

(73) Assignee: **PD-LD, Inc.**, Pennington, NJ (US)

(*) Notice: Subject to any disclaimer, the term of this patent is extended or adjusted under 35 U.S.C. 154(b) by 358 days.

(21) Appl. No.: **12/127,590**

(22) Filed: **May 27, 2008**

(65) **Prior Publication Data**

US 2008/0225672 A1 Sep. 18, 2008

Related U.S. Application Data

(62) Division of application No. 10/947,990, filed on Sep. 23, 2004, now Pat. No. 7,391,703.

(60) Provisional application No. 60/506,409, filed on Sep. 26, 2003.

(51) **Int. Cl.**
G11B 7/00 (2006.01)

(52) **U.S. Cl.** **369/109.01**; 369/103

(58) **Field of Classification Search** 369/109.01, 369/103; 359/3, 10, 30, 31; 385/37, 38
See application file for complete search history.

(56) **References Cited**

U.S. PATENT DOCUMENTS

3,396,343 A	8/1968	Gustaaf	372/107
3,580,657 A	5/1971	Sheridon		
3,603,690 A	9/1971	Hard	356/521
3,647,289 A	3/1972	Weber		
3,936,143 A	2/1976	Sato	350/96 C
4,013,338 A	3/1977	Sato et al.	350/3.5
4,017,318 A	4/1977	Pierson et al.		

4,057,408 A	11/1977	Pierson et al.	65/18
4,095,875 A	6/1978	Lee et al.	350/320
4,215,937 A	8/1980	Borsuk	356/73.1
4,239,333 A	12/1980	Dakss et al.	350/96.21
4,398,797 A	8/1983	Wedertz et al.	385/137
4,514,053 A	4/1985	Borrelli et al.	350/162.2
4,747,657 A	5/1988	Chaoui et al.	350/96.2

(Continued)

FOREIGN PATENT DOCUMENTS

EP 0 310 438 A1 4/1989

(Continued)

OTHER PUBLICATIONS

Borgman, V.A., et al., "Photothermal refractive effect in silicate glasses," *Sov. Phys. Dokl.*, Nov. 1989, 1011-1013.

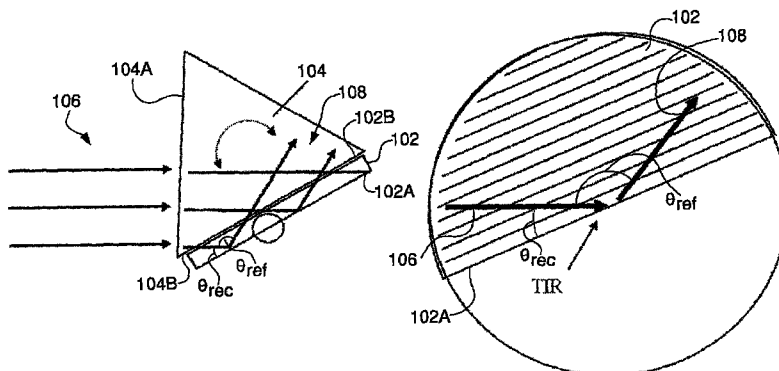
(Continued)

Primary Examiner—Thang V Tran
(74) *Attorney, Agent, or Firm*—Woodcock Washburn LLP

(57) **ABSTRACT**

Methods for recording volume Bragg grating structures having a target wavelength are disclosed. Such a method may include providing a photosensitive recording medium, bringing a first face of the recording medium into contact with a face of a prism, the prism being made of a material that is transparent at a recording wavelength, and recording a Bragg grating onto the recording medium by exposing the prism to an incident light wave at the recording wavelength.

16 Claims, 9 Drawing Sheets



U.S. PATENT DOCUMENTS

4,942,102 A	7/1990	Keys et al.	430/1
4,943,126 A	7/1990	Lang et al.	350/3.69
5,115,338 A	5/1992	DiGiovanni et al.	359/337
5,335,098 A	8/1994	Leyva et al.	359/7
5,386,426 A	1/1995	Stephens	372/20
5,440,669 A	8/1995	Rakuljic et al.	359/7
5,452,124 A	9/1995	Baker	359/341.2
5,491,570 A	2/1996	Rakuljic et al.	359/7
5,548,676 A	8/1996	Savage	385/92
5,619,609 A	4/1997	Pan et al.	385/136
5,655,040 A	8/1997	Chesnoy et al.	385/37
5,684,611 A	11/1997	Rakuljic et al.	359/7
5,691,989 A	11/1997	Rakuljic et al.	372/20
5,754,318 A *	5/1998	Agopian	359/10
5,777,763 A	7/1998	Tomlinson, III	359/130
5,796,096 A	8/1998	Rakuljic et al.	250/226
5,798,859 A	8/1998	Colbourne et al.	359/247
5,812,258 A	9/1998	Pierson	356/153
5,825,792 A	10/1998	Villeneuve et al.	372/32
6,055,250 A	4/2000	Doerr et al.	372/23
6,064,685 A	5/2000	Bissessur et al.	
6,093,927 A	7/2000	Wickham	250/227.23
6,122,043 A	9/2000	Barley	356/73.1
6,184,987 B1	2/2001	Jang et al.	356/388
6,198,759 B1	3/2001	Broderick et al.	372/39
6,249,624 B1	6/2001	Putnam et al.	385/37
6,269,203 B1	7/2001	Davies et al.	385/24
6,285,813 B1	9/2001	Schultz et al.	385/37
6,340,540 B1 *	1/2002	Ueda et al.	359/3
6,385,219 B1	5/2002	Sonoda	372/28
6,385,228 B1	5/2002	Dane et al.	372/99
6,414,973 B1	7/2002	Hwu et al.	372/19
6,434,175 B1	8/2002	Zah	372/20
6,470,120 B2	10/2002	Green et al.	385/52
6,524,913 B1	2/2003	Lin et al.	
6,529,675 B1	3/2003	Hayden et al.	385/141
6,580,850 B1	6/2003	Kazarinov et al.	385/28
6,586,141 B1	7/2003	Efimov et al.	430/1
6,673,493 B2	1/2004	Gan et al.	429/233
6,673,497 B2	1/2004	Efimov et al.	
6,829,067 B2	12/2004	Psaltis et al.	359/15
7,031,573 B2	4/2006	Volodin et al.	385/37
7,125,632 B2	10/2006	Volodin et al.	
7,184,616 B2	2/2007	Mead et al.	385/10
7,248,617 B2	7/2007	Volodin et al.	372/102
7,298,771 B2	11/2007	Volodin et al.	
7,324,286 B1	1/2008	Glebov et al.	
7,326,500 B1	2/2008	Glebov et al.	
2001/0016099 A1	8/2001	Shin et al.	385/37
2001/0028483 A1	10/2001	Buse	359/15
2002/0012377 A1	1/2002	Suganuma et al.	372/98
2002/0045104 A1	4/2002	Efimov et al.	430/2
2002/0176126 A1	11/2002	Psaltis et al.	359/15
2002/0192849 A1	12/2002	Bullington et al.	438/22
2003/0174749 A1	9/2003	Capasso et al.	372/45
2003/0214700 A1	11/2003	Sidorin et al.	359/334
2003/0219205 A1	11/2003	Volodin et al.	385/37
2005/0018743 A1	1/2005	Volodin et al.	
2005/0207466 A1	9/2005	Glebov et al.	
2005/0265416 A1	12/2005	Zucker et al.	372/50.12
2006/0029120 A1	2/2006	Mooradian et al.	372/102
2006/0123344 A1	6/2006	Volkov et al.	
2006/0156241 A1	7/2006	Psaltis et al.	715/730
2006/0256827 A1	11/2006	Volodin et al.	370/50.121

FOREIGN PATENT DOCUMENTS

EP	0 322 218 A3	6/1989
JP	4287001	10/1992
SU	178-429 A1	11/1990

WO WO 03/036766 A2 5/2003

OTHER PUBLICATIONS

- Borrelli, N. F., et al., "Photosensitive glasses and glass-ceramics," *Glass Processing*, 439-444.
- Breer, S., et al., "Low-crosstalk WDM by bragg diffraction from thermally fixed reflection holograms in lithium niobate," *Electronics Letts.*, 1998, 34(25), 2419-2421.
- Churin, E.G., et al., "Design of free-space WDM router based on holographic concave grating," *IEEE Photonics Techn. Letts.*, Feb. 1999, 11(2), 221-223.
- Dicing Solutions for DWDM optical filter applications; advertising brochure of *ADT Advanced Dicing Technologies*, Stockholm, Sweden, 2003, 2 pages.
- Efimov, O.M., et al., "High-efficiency bragg gratings in photothermorefractive glass," *Applied Optics*, Feb. 1, 1999, 38(4), 619-627.
- Glebov, L.B., et al., "Polychromatic glasses—a new material for recording volume phase holograms," *Sov. Phys. Dokl.*, Oct. 1990, 35(10), 878-880.
- Glebov, L.B., "High-efficiency volume hologram recording in silicate glass," *School of Optics and CREOL*, University of Central Florida, Orlando, FL, 16 pages.
- Glebov, L.B., "Photosensitive glass for phase hologram recording," *Glass Science and Technology*, 1998, 71C, 85-90.
- Hendow, S.T., "Crystal bragg gratings stabilize laser sources," *Laser Focus World*, Nov. 1996, S19-S24.
- Kogelnik, H., et al., "Coupled wave theory for thick hologram gratings," *The Bell System Technical Journal*, Nov. 1969, 48(9), 2909-2947.
- Liu, J., et al., "Modeling and design of planar slanted volume holographic gratings for wavelength-division-multiplexing applications," *Applied Optics*, Dec. 1, 1999, 6981-6986.
- Moslehi, B., et al., "Fiber-optic wavelength-division multiplexing and demultiplexing using volume holographic gratings," *Optics Letters*, Oct. 1, 1989, 1088-1090.
- Optical Interference Filters, 17th Ed., *Spectrogon*, Taby, Sweden, www.spectrogon.com, (no date available), 3-21.
- Qiao, J., et al., "Dispersion-enhanced volume hologram for dense wavelength-division demultiplexer," *IEEE Photonics Technology Letts.*, Aug. 2000, 12(8), 1070-1072.
- Rakuljic, G.A., et al., "volume holographic narrow-band optical filter," *Optical Engineering*, Oct. 1997, 36(10), 459-461.
- Sayano, K., "Holographic grating filters in optical glasses for C31 WDM networks," *Accuwave Corp., sponsored by Ballistic Missile Defense Organization*, May 1998, AFRL-SN-RS-TR-1998-81, Final Technical Report, 1-35, DL-1-DL-3.
- Timofeev, F.N., et al., "Free-space grating multi/demultiplexer and wavelength-router for densely spaced WDM networks," *IEE*, 1997, 11/1-11/5, 372-373.
- Zhao, F., et al., "Reliable grating-based wavelength division (de)multiplexers for optical networks," *Opt. Eng.*, Jul. 2001, 40(7), 1204-1211.
- Zhao, F., et al., "Subpicometer accuracy laser wavelength sensor using multiplexed bragg gratings," *IEEE Photonics Technology Letts.*, Nov. 1997, 9(11), 1493-1495.
- Zhao, F., et al., "Ultraviolet Ca K-line narrow-bandwidth imaging filters based on holographic Bragg gratings in photorefractive materials," *Opt. Eng.*, Oct. 1997, 36(10), 2918-2921.
- Dmitriyev, A.L., et al., "Volume holograms in the optical devices of optical-fiber data transmission systems, A review," *Telecommun. & Radio Eng.*, 1995, 49(12), 9-15.
- Sayano, K., et al., "Modular WDM add/drop multiplexers," *SPIE*, 1997, 3234, 102-107.
- Applicant calls to the Office's Attention, Application No. 820/CAL/93, Filed Dec. 28, 1993, Inventors—Victor Leyva and George Rakuljic, "Method for Writing Reflection Mode Gratings in Photorefractive Materials in the Infrared," and U.S. Appl. No. 08/842,645, filed Apr. 15, 1997, Inventors- Koichi Sayano and F. Zhao, "High Resolution Holographic Image and Data Storage System." Applicant has no Further Information Regarding these References.

- Chang-Hasnain, C.J., et al., "High power with high efficiency in a narrow single-lobed beam from a diode laser array in an external cavity," *Appl. Phys. Lett.*, 1987, 50(21), 1465-1467.
- Datta, S., et al., "Modeling of nonideal volume Bragg reflection gratings in photosensitive glass using a perturbed transmission matrix approach," *IEEE J. of Quantum Electronics*, 2004, 40(5), 580-590.
- Goodman, J.W., "Introduction to Fourier Optics," *McGraw-Hill Co., Inc.*, 2nd Ed., 1996, 329-330.
- Moser, C., et al., "Volume Bragg grating devices," *Friday Morning*, 2003, 2, 644-645.
- Sakamoto, M., et al., "20 W CW monolithic AlGaAs (810nm) laser diode arrays," *Electronic Letts.*, 1992., 28(2), 178-180.
- Volodin, B.L., et al., "High-resolution compact imaging holographic Bragg grating spectrometer," *CLEO*, 1998, 401-402.
- Yiou, S., et al., "Improvement of the spatial beam quality of laser sources with an intracavity Bragg grating," *Optics Letts.*, 2003, 28(4), 242-244.
- Jansson, T. et al., "Lippmann-Bragg Broadband Holographic Mirrors", *J. of the Optical Soc. Of Am.*, 1991, 8(1), 201-211.
- Loiseaux, B, et al., "Characterization of Perpendicular Chirped Phase Volume Grating Pairs for Laser Stretching", *Optic Letters*, OSA, 1996, 21(11), 806-808.
- Efimov, O.M. et al., "Diffractive Optical Elements in Photosensitive Inorganic Glasses", Proceedings of the SPIE Inorganic Materials III, Aug. 2001, 4452, 39-47.
- Remy, Lehrbuch der Anorganischen Chemie Band, 1960, 1.
- Scholes, S. R. Modern Glass Practice, 1975, 217.
- Shelby, J.E., "Introduction to Glass Science and Technology", *Royal Society of Chemistry*, 1997, 43.
- Harrison, J. et al., "Coherent Summation of Injection-Locked, Diode-Pumped Nd: YAG Ring Lasers", *Optics Letters*, Feb. 1998, 13(2), 111-113.
- Kozlov, V.A. et al., "All-Fiber Coherent Beam Combining of Fiber Lasers", *Optic Letters*, Dec. 15, 1999, 24(24), 1814-1816.
- Leger, J.R. et al., "Efficient Side Lobe Suppression of Laser Diode Arrays", *Appl. Phys. Lett.*, 1987, 50(16), 1044-1046.
- Leger, J.R. et al., "Coherent Beam Addition of GaAlAs Lasers by Binary Phase Gratings", *Appl. Phys. Lett.*, Apr. 1986, 48(14), 888-890.
- Leger, J.R. et al., "Coherent Laser Addition Using Binary Phase Gratings", *Applied Optics*, 1987, 26(20), 4391-4399.
- Menard, S. et al., "Highly Efficient Phase Locking and Extracavity Coherent Combination of Two Diode-Pumped Nd: YAG Laser Beams", *Optics Letters*, Dec. 15, 1996, 21(24), 1996-1998.
- Rodgers, B.C. et al., "Laser Beam Combining and Cleanup by Stimulated Brillouin Scattering in a Multimode Optical Fiber", *Optics Letters*, Aug. 15, 1999, 24(16), 1124-1126.
- Swanson, G.J. et al., "Aperture Filling of Phase-Locked Laser Arrays", *Optics Letters*, Apr. 1987, 12(4), 245-247.
- Veldkamp, W. B. et al., "Coherent Summation of Laser Beams Using Binary Phase Gratings", *Optics Letters*, May 1986, 11(5), 303-306.
- Mills, P., "Single-Mode Operation of 1.55 μm Semiconductor Lasers Using A Volume holographic Grating", *Electronic Letters*, Jul. 1985, 21(15), 648-649.
- In the United States District Court for the District of New Jersey, *PD-LD, Inc.*, v. *Ondax, Inc.*, Case No. 08-cv-03494, DRAFT Amended Answer to Complaint; Affirmative Defenses; Counterclaims and Jury Demand, Sep. 18, 2008, 34 pages.
- In the United States District Court for the District of New Jersey, *PD-LD, Inc.*, v. *Ondax, Inc.*, Case No. 08-cv-03494, Initial Disclosures of Defendant Ondax, Inc. Pursuant to FRCP 26(a)(1), Sep. 12, 2008, 10 pages.
- In the United States District Court for the District of New Jersey, *PD-LD, Inc.*, v. *Ondax, Inc.*, Case No. 08-cv-03494, Third Party Complaint by Defendant Ondax, Inc. Against Arasor International Limited and Jury Demand, Aug. 22, 2008, 9 pages.
- In the United States District Court for the District of New Jersey, *PD-LD, Inc.*, v. *Ondax, Inc.*, Case No. 08-cv-03494, Answer to Complaint: Affirmative Defenses; Counterclaims and Jury Demand, Aug. 13, 2008, 31 pages.
- U.S. Appl. No. 10/390,521, filed Jul. 3, 2003, Volodin, et al.

* cited by examiner

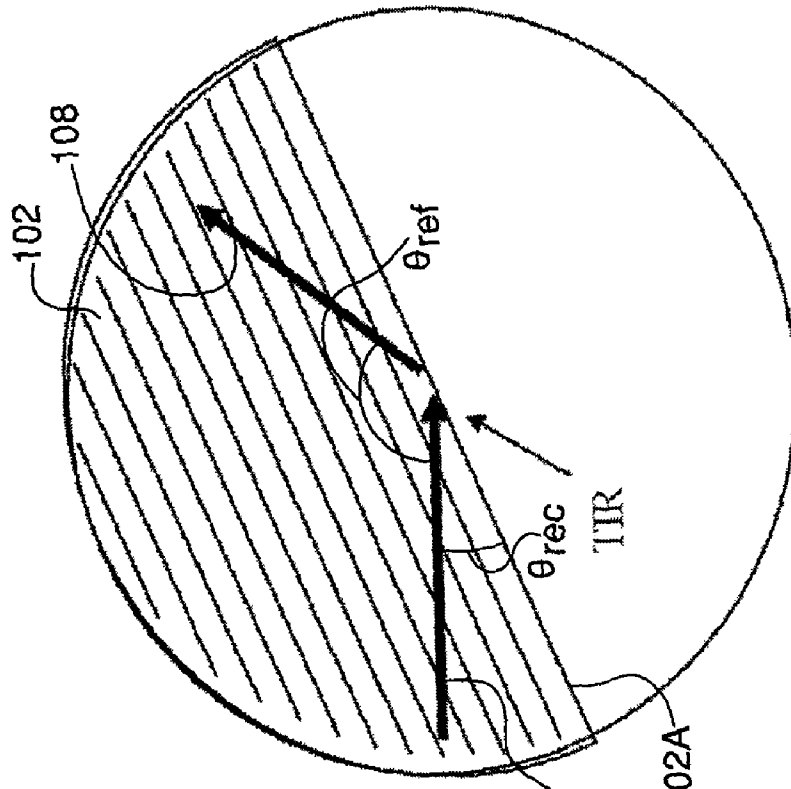


FIG. 1A

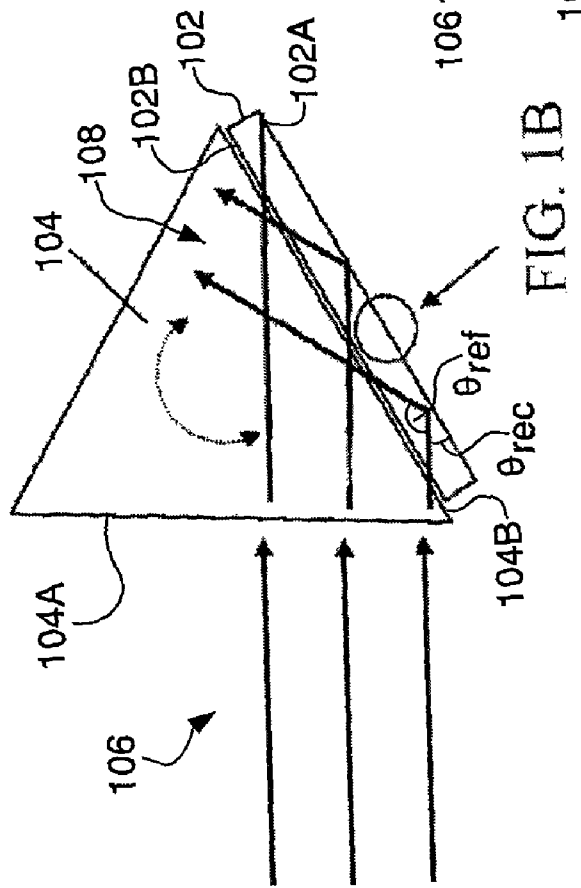


FIG. 1B

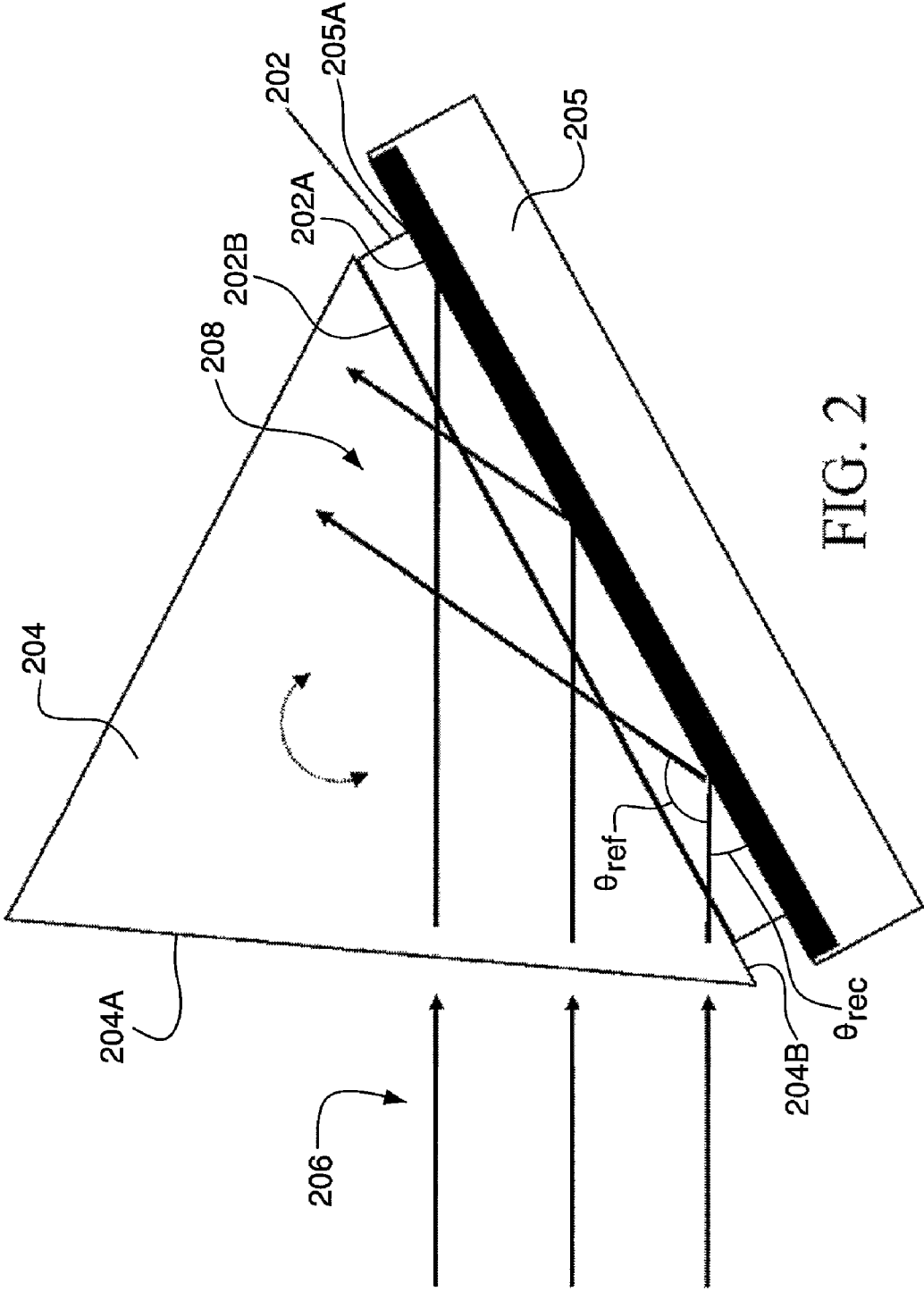


FIG. 2

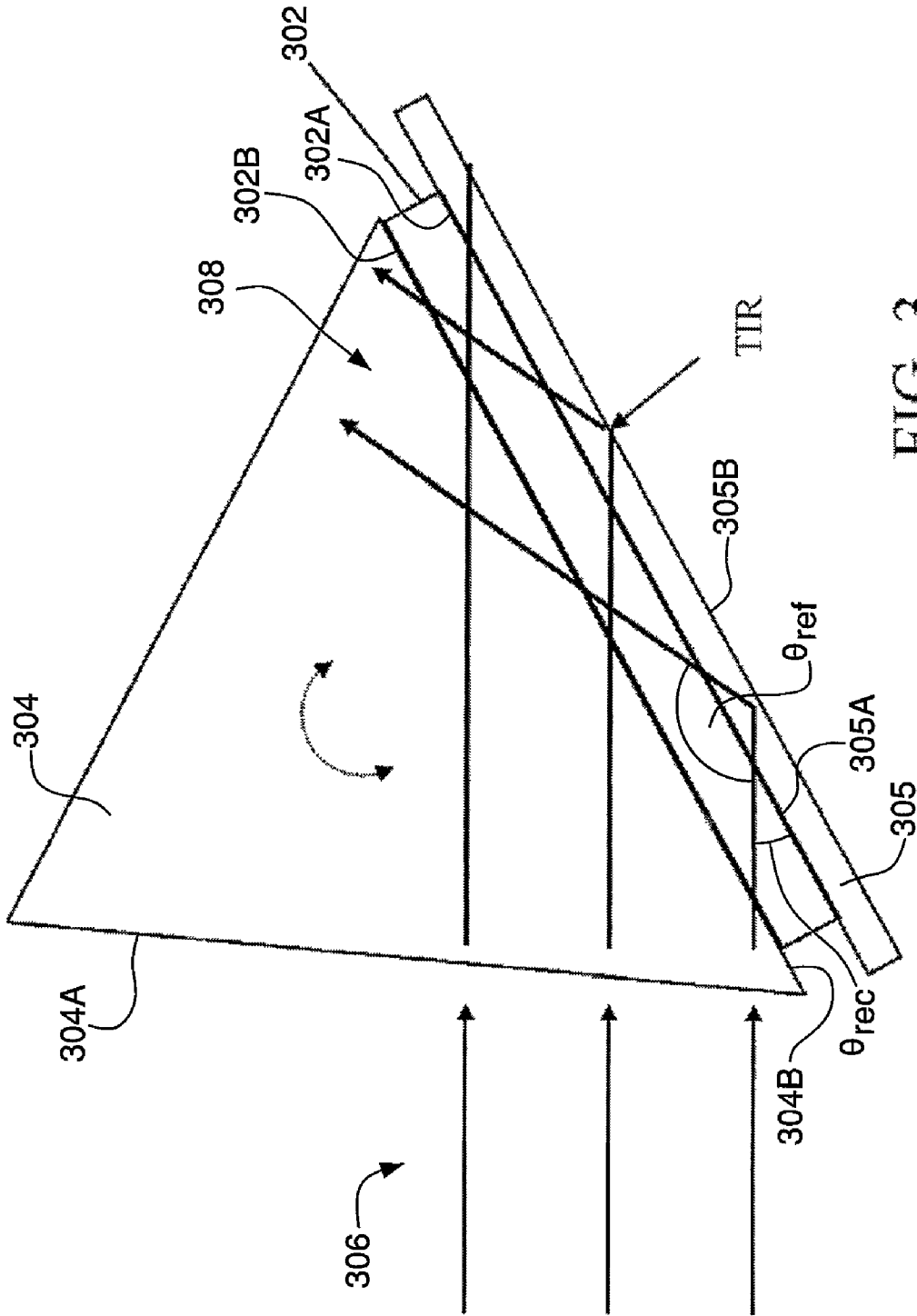


FIG. 3

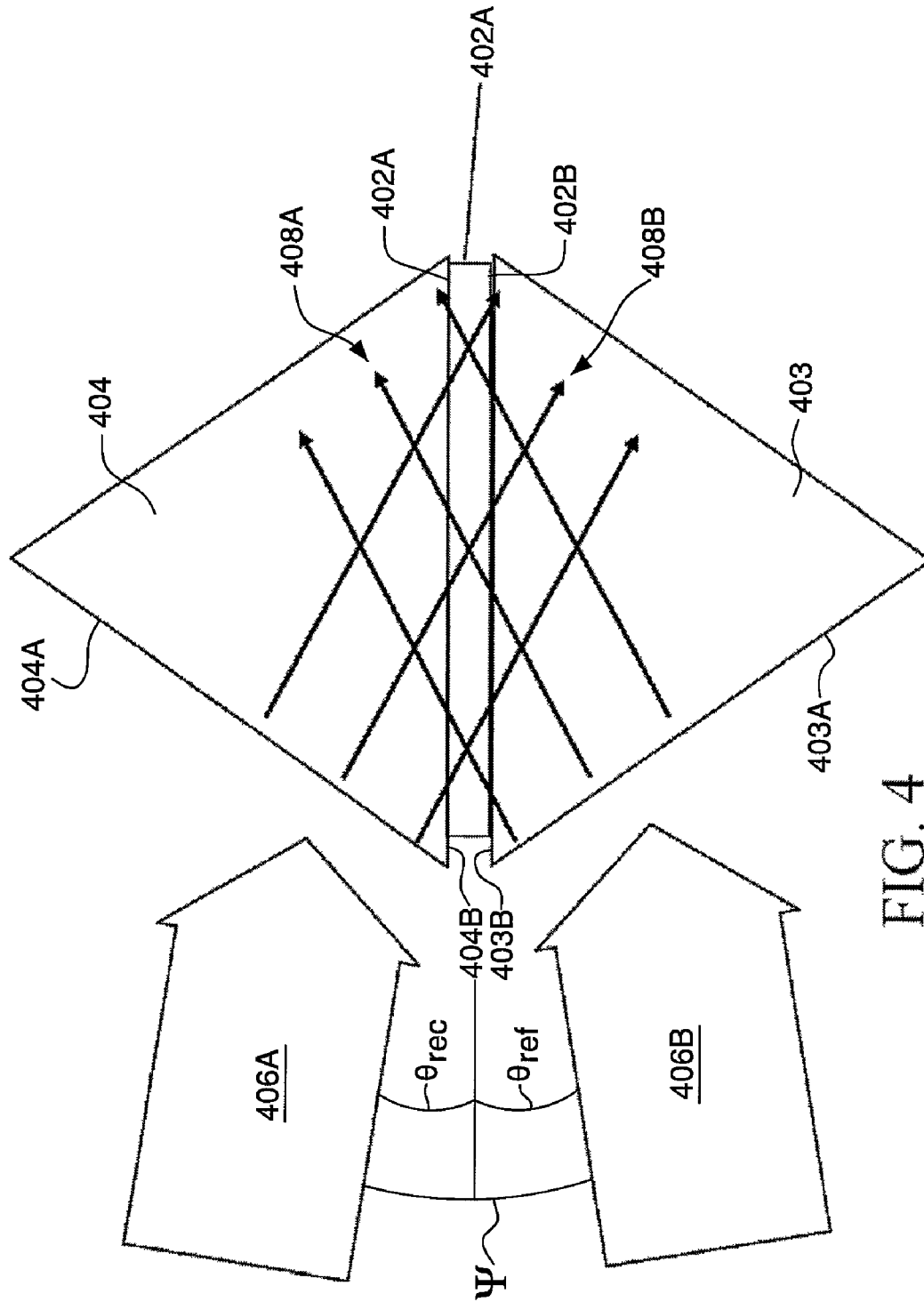


FIG. 4

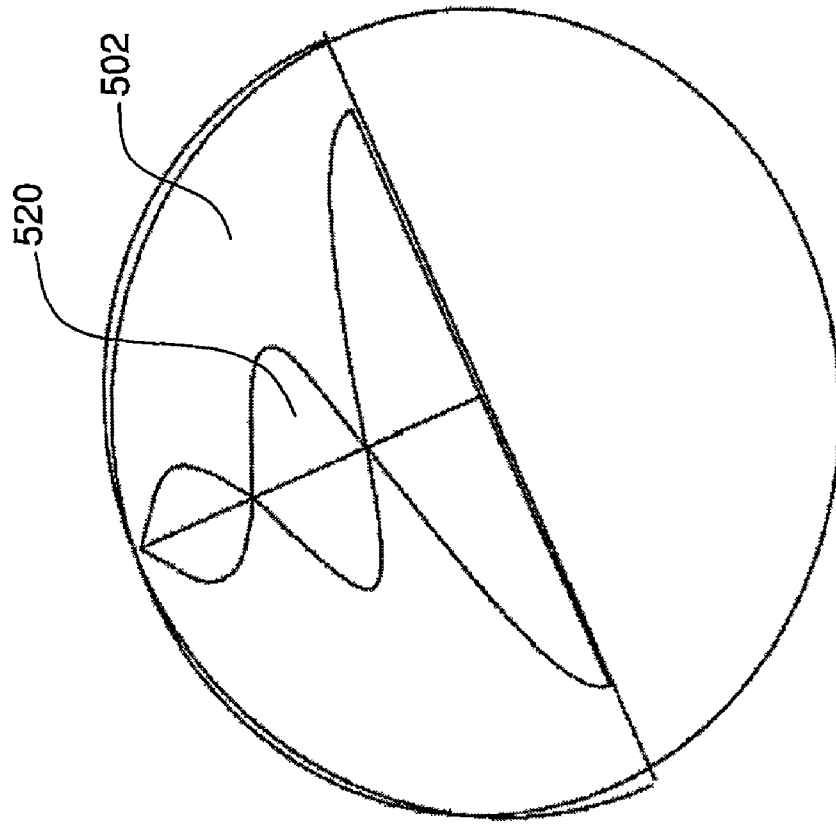


FIG. 5B

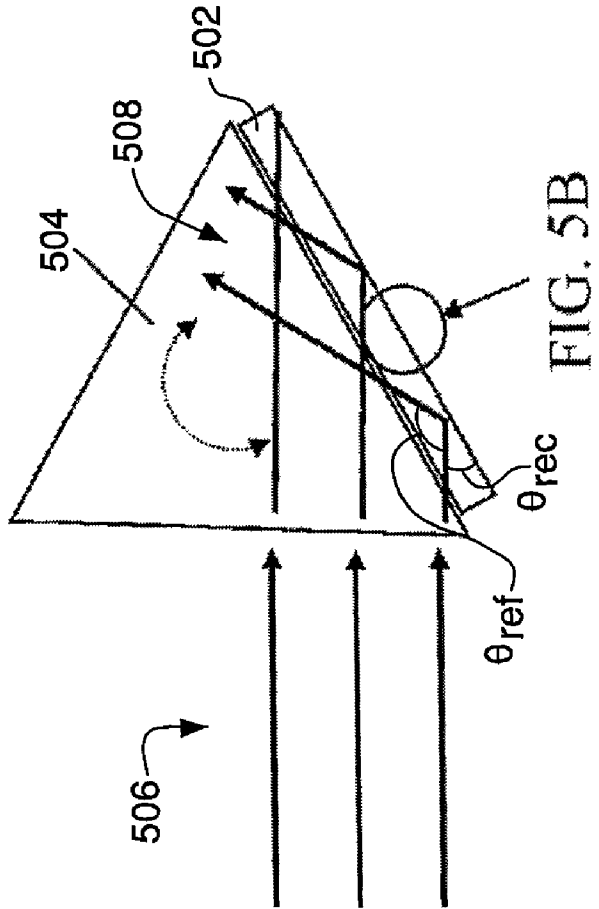


FIG. 5A

FIG. 5B

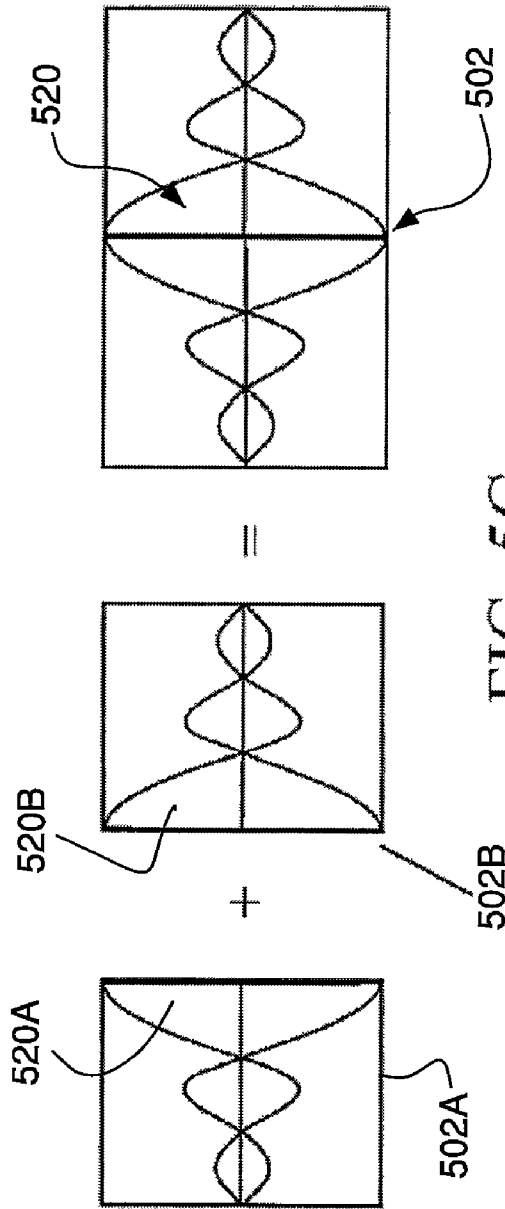


FIG. 5C

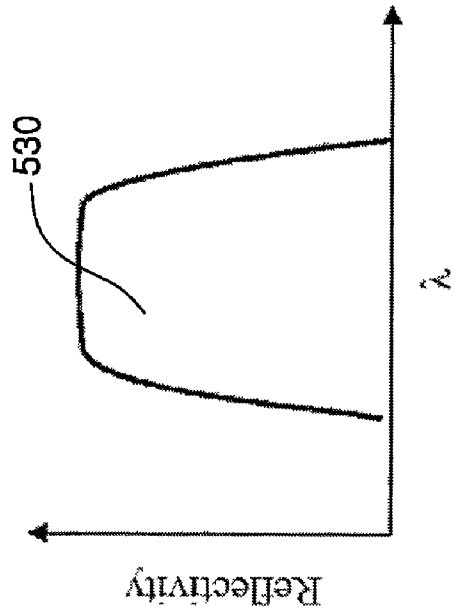


FIG. 5D

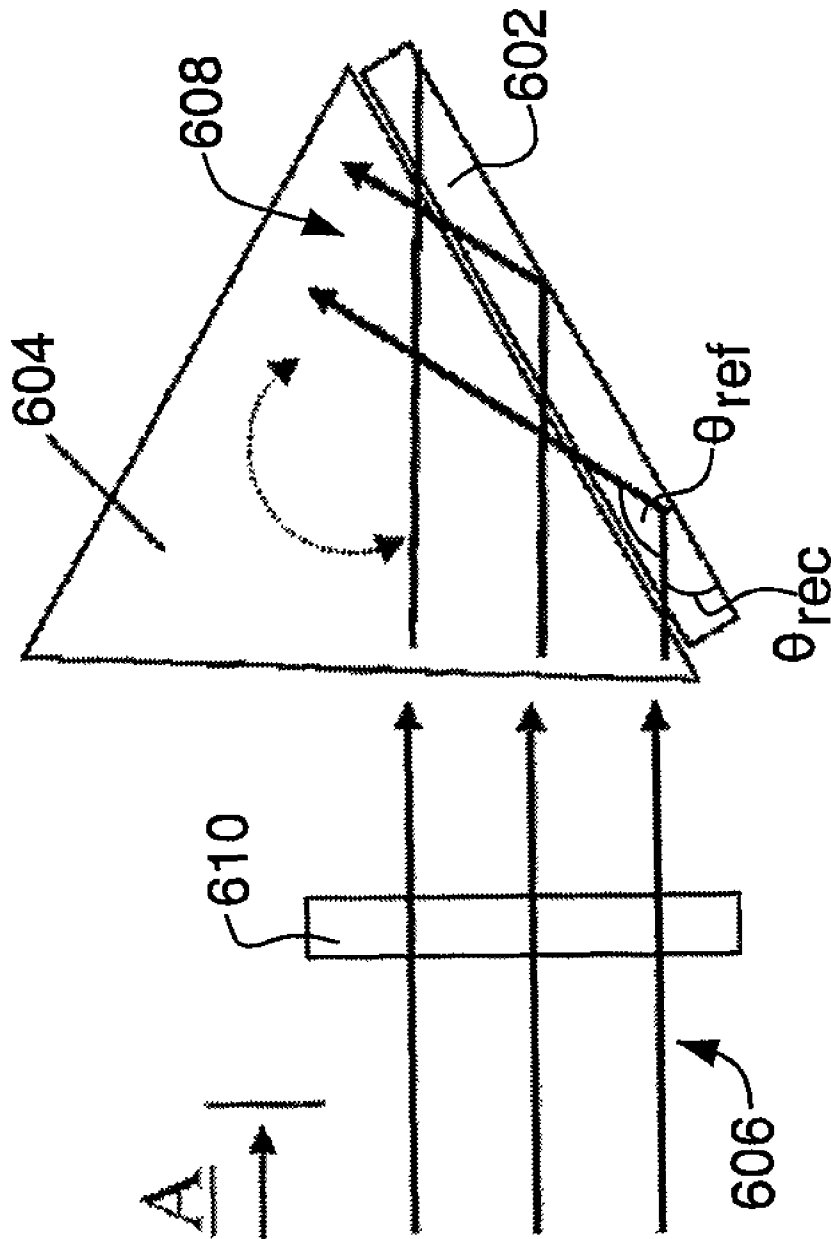


FIG. 6A

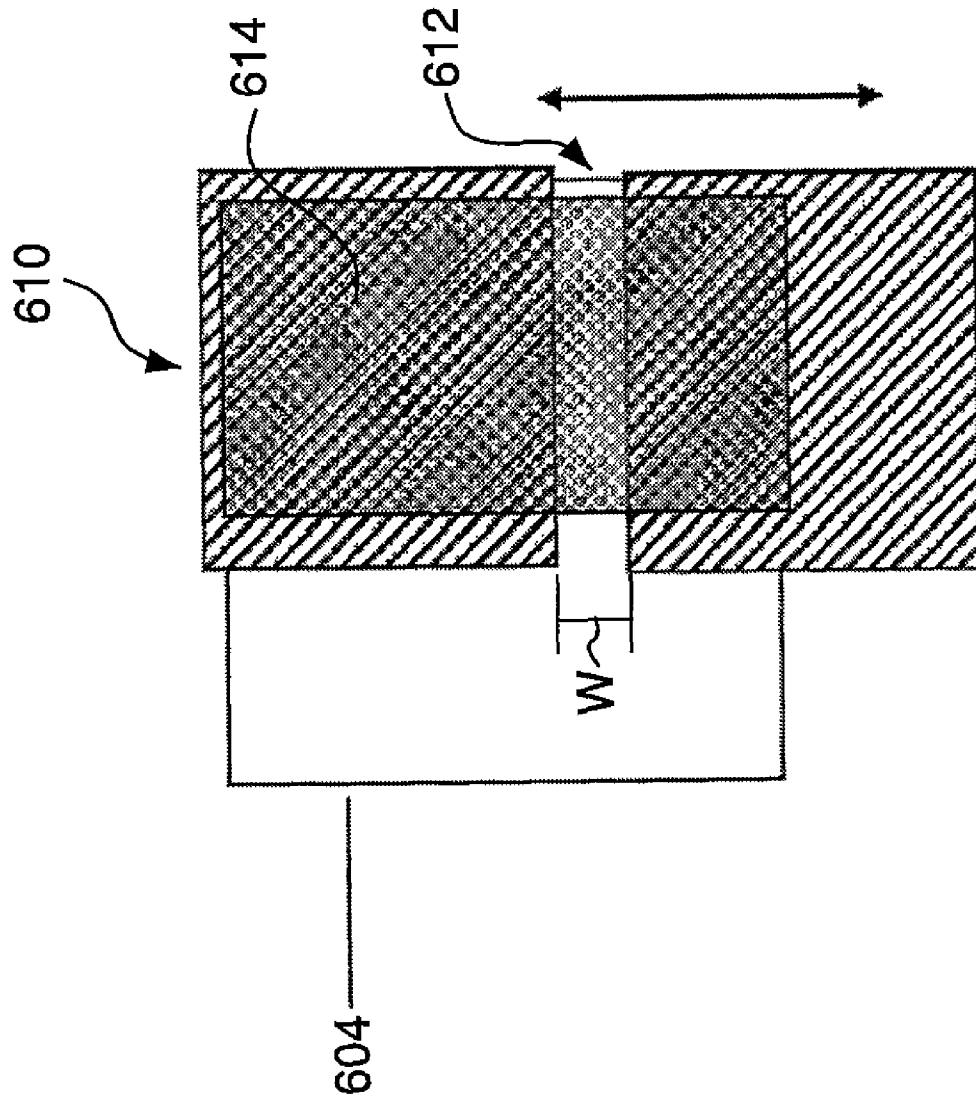


FIG. 6B

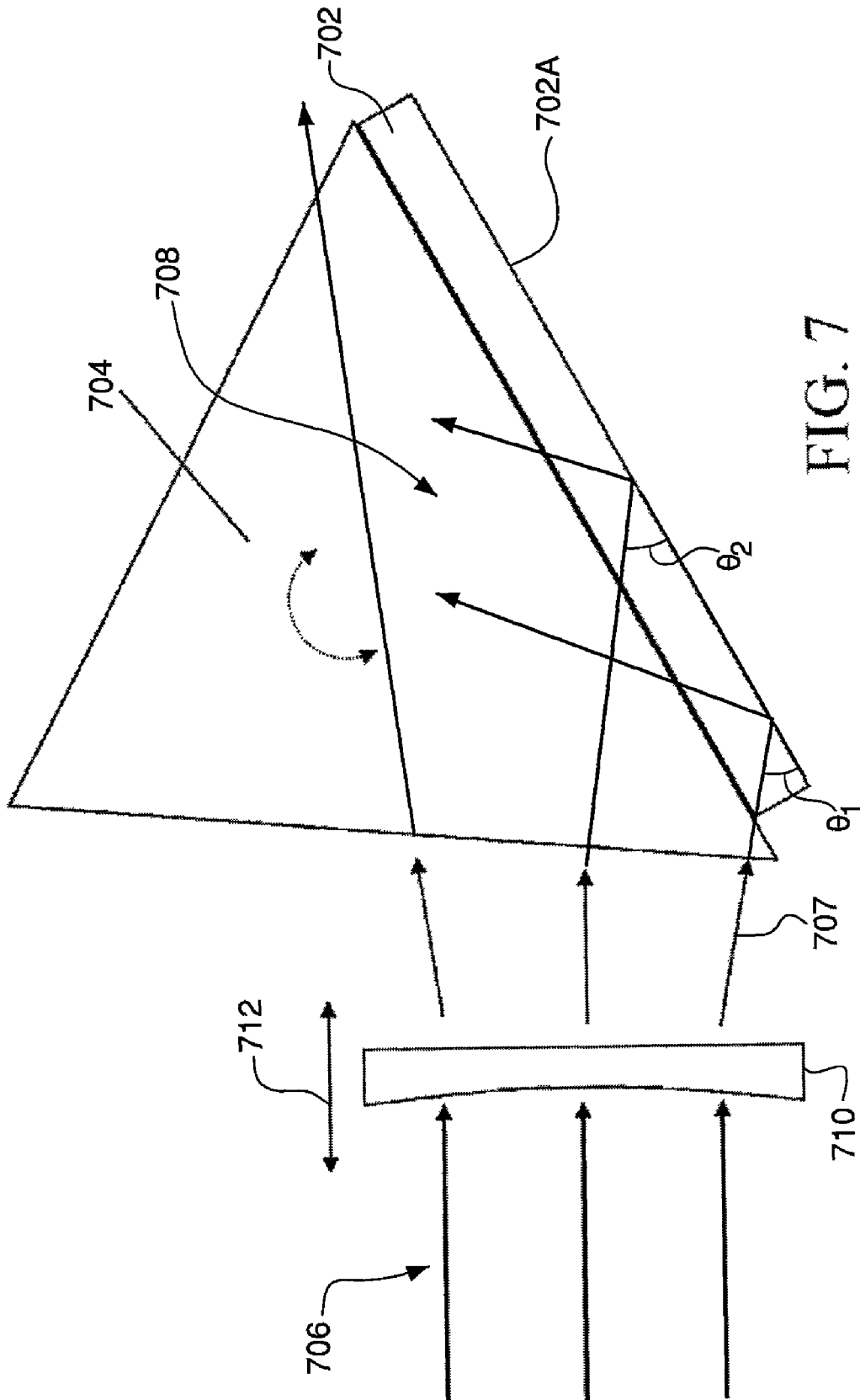


FIG. 7

METHODS FOR MANUFACTURING VOLUME BRAGG GRATING ELEMENTS

CROSS-REFERENCE TO RELATED APPLICATIONS

This application is a division of U.S. patent application Ser. No. 10/947,990, filed on Sep. 23, 2004, which claims benefit under 35 U.S.C. §119(e) of provisional U.S. patent application 60/506,409, filed on Sep. 26, 2003. The disclosure of each of the above-referenced patent applications is incorporated herein by reference.

FIELD OF THE INVENTION

The invention is related generally to volume Bragg grating elements for fiber optic devices, spectroscopic devices, lasers and other light sources, military and space applications and any other optical devices. More particularly, the invention provides methods for manufacturing volume Bragg grating elements that are suitable for use in such optical devices.

BACKGROUND OF THE INVENTION

The manufacturing of reflective VBG filters for a wide variety of wavelengths critically depends on the ability to record these filters holographically using a fixed recording wavelength λ_{rec} that is shorter than the operation wavelength λ_{op} of the filter. Accordingly, a method of "side-writing" a VBG filter was developed for photorefractive lithium niobate. Such a method is described in U.S. Pat. No. 5,491,570, for example.

This method has a number of drawbacks, such as, for example, the limited usable wavelength range (i.e., $\lambda_{op} > n * \lambda_{rec}$), complexity of sample preparation (e.g., the necessity to polish at least two orthogonal faces of the sample), and the inability to tune the operating wavelength in a wide range (i.e., greater than approximately 40 nm). Further, the method of "side-writing" has a fundamental limit on the clear aperture of the filter recorded in this way. This is due to the fact that the recording beams of light are necessarily absorbed in the material in order to create the required photo-induced changes of the refractive index and, as a result, the penetration depth of the recorded grating is limited by the material absorption. For this reason, the clear aperture of reflective VBG filters recorded in this way is typically no more than approximately 4-6 mm, depending on the properties of the material and the particular specification on the uniformity of the filter.

It would be desirable, therefore, if systems and methods were available for manufacturing VBG filters with increased clear aperture, increased center wavelength tuning range and improved efficiency of fabrication.

SUMMARY OF THE INVENTION

The invention described herein provides a method of injecting recording light into a recording medium through the same surface as either the input or output surface of the filter (hereafter called operating surfaces of the filter). Two beams of recording light, which typically have a wavelength substantially shorter than the operating wavelength of the filter, are made to intersect inside the medium at an angle θ_{rec} , such that:

$$\sin\theta_{rec} = \frac{\lambda_{rec} n_{op}}{\lambda_{op} n_{rec}} \sin\theta_{op}, \quad (1)$$

where λ_{op} and θ_{op} are the operating wavelength and the diffraction angle of the filter inside the medium, respectively, n_{op} and n_{rec} are the refractive indices of the material at the operating and recording wavelengths, respectively.

As the recording wavelength is typically substantially shorter than the operating wavelength (e.g., $\lambda_{op}=1064$ nm, $\lambda_{rec}=325$ nm), it is typically impossible to inject the light at the recording wavelength into the medium at such angles directly through the operating surface of the filter due to the total internal reflection (i.e., $n_{rec} * \sin(\pi/2 - \theta_{rec}) > 1$ for these conditions).

BRIEF DESCRIPTION OF THE DRAWINGS

FIGS. 1A and 1B depict recording with a prism via total internal reflection (TIR) on the outside surface of the sample.

FIG. 2 depicts recording with a prism using a reflective surface attached to the outside surface of the sample.

FIG. 3 depicts recording with a prism using an auxiliary optical flat attached to the outside surface of the sample.

FIG. 4 depicts recording with a prism pair.

FIGS. 5A and 5B depict recording of a filter with a flat top and its spectral response function.

FIG. 5C depicts forming a continuous optical path from two filters.

FIG. 5D shows a spectral response function.

FIGS. 6A and 6B depict recording a filter with a location-dependent grating period.

FIG. 7 depicts another embodiment for recording a VBG with spatially varying period.

DETAILED DESCRIPTION OF ILLUSTRATIVE EMBODIMENTS

FIGS. 1A and 1B depict an example embodiment of a method according to the invention for recording a reflective volume Bragg grating ("VBG") structure by recording with a prism **104** via total internal reflection (TIR) on the outside surface **102A** of a sample **102**. In accordance with the invention, a VBG structure could be an element, wafer, filter, etc., without limitation.

Light **106** at the recording wavelength enters the prism **104**, which may be made out of a transparent material. The sample of the recording medium **102** may be attached to one side **104B** of the prism **104** so that a continuous path is formed from the inside of the prism **104** into the recording medium **102** without going into air.

The light **106** encounters total internal reflection (TIR) on the outside surface **102A** of the sample of the recording medium **102**, upon which the incident wave **106** interferes with the reflected wave **108**, creating a standing wave pattern inside the recording medium **102**. The planes of the Bragg grating recorded as a result are parallel to the outside surface **102A** of the recording medium **102**.

Rotating the prism/sample assembly changes the incident angle θ_{rec} , which changes the angle of reflection θ_{ref} between the incident wave **106** and the reflected wave **108** of the recording light inside the recording medium **102**. This, in turn, leads to a change in the period of the Bragg grating.

Therefore, continuous tuning of the Bragg grating may be achieved via continuous rotation of the prism/sample assembly.

Thus, an embodiment of a method according to the invention for recording a reflective VBG filter may include providing a sample **102** of an optical recording medium. The sample **102** may be a wafer, for example, and may include one or more flat surfaces **102A**, **102B**. At least one of the surfaces **102A** may have an optical quality polish.

A prism **104** may be made out of a material that is transparent at the desired recording wavelength, and has an index of refraction that is approximately equal to that of the recording medium **102**. The prism **104** may be prepared such that at least two of its sides **104A**, **104B** are flat. At least one of those sides **104A**, may have an optical quality polish. One of the sides **102B** of the recording medium **102** may be brought into contact with one of the flat sides **104B** of the prism **104**, so that the polished side **102A** of the sample (wafer) **102** is facing away from the prism **104**. Thus, a continuous optical path may be achieved from the inside of the prism **104** into the inside of the sample **102** through the flat interface (**102B/104B**) without going into the air. Examples include, but are not limited to, using index-matching fluid at the sample/prism interface or achieving direct optical contacting between the two surfaces **102B**, **104B**.

Light **106** at the recording wavelength may be injected through the polished side **104A** of the prism **104**. The light **106** will propagate through the volume of the prism **104**, and through the prism/sample interface **104B/102B** without suffering a total internal reflection. The incident light **106** will continue to propagate all the way to the outside surface **102A** of the sample **102**. The incident angle θ_{rec} may be set so that the condition of Equation (1) is met inside the recording medium sample **102**. The angle θ_{rec} may be measured between the wavevector of the incident recording light **106** and the outside surface **102A** of the sample **102**. Once this condition is met, a total internal reflection (TIR) will occur at the outside surface **102A** of the sample **102**, provided $\lambda_{op} > \lambda_{min}$, where λ_{min} is approximately given by the following formula:

$$\lambda_{min} \approx \frac{\lambda_{op}}{\cos(\arcsin(1/n_{rec}))}, \quad (2)$$

where n_{rec} is the index of refraction of recording medium **102**. According to Equation (2), if $\lambda_{rec}=325$ nm and $n_{rec}=1.52$, then $\lambda_{min} \approx 432$ nm.

Light **106** incident onto the sample **102** of the recording medium and light **108** reflected via the total internal reflection (TIR) on the outside surface **102A** of the sample **102** create a standing wave pattern inside the material **102**. This pattern will be imprinted in the photosensitive material **102**, eventually leading to the formation of a Bragg grating at λ_{op} . The planes of this standing wave will be parallel to the surface **102A** of the sample **102** on which the TIR has occurred. The standing wave pattern created via the TIR may have a maximum at the reflecting surface **102A**.

It should be understood that, if the back surface **102A** of the sample **102** has a curvature, then the recorded VBG structure will have a period that varies depending on location within the sample **102**. This effect can be used deliberately for recording VBG structures with continuously varying period with a required dependence of the latter on the position along the surface **102A** of the sample **102**.

FIG. 2 depicts recording with a prism **204** using a reflective surface **205A** attached to the outside surface **202A** of the sample **202**. Light **206** at the recording wavelength enters the prism **204**, which may be made of a transparent material. The sample **202** of the recording medium is attached to one side **204B** of the prism **204** so that a continuous path is formed from the inside of the prism **204** into the recording medium **202** without going into air. A material **205** having a reflective surface **205A** is attached to the other side **202A** of the sample **202** so that a continuous path is formed from the inside of the sample **202** onto the reflective surface **205A** without going into air. The material **205** may be a mirror, for example. The incident light **206** is reflected from the reflecting surface **205A**, upon which the incident wave **206** interferes with the reflected wave **208**, creating a standing wave pattern inside the recording medium **202**. Rotating the prism/sample assembly changes the incident angle θ_{rec} , which changes the angle of reflection θ_{ref} between the incident wave **206** and the reflected wave **208** of the recording light inside the recording medium **202**. This, in turn, leads to a change in the period of the Bragg grating. Therefore, continuous tuning of the Bragg grating period is achieved via continuous rotation of the prism/sample assembly.

Thus, another embodiment of a method according to the invention for recording a reflective VBG filter may include bringing a flat reflective surface **205A**, such as a mirror, into direct contact with the outside surface **202A** of the sample **202**. Thus, a continuous optical path may be formed from the inside of the sample **202** onto the reflective surface **205A** through the interface without going into the air. This condition may be achieved by a variety of methods, including, but not limited to, the use of an index-matching fluid at the interface. Light **206** at the desired recording wavelength may be injected through the polished side **204A** of the prism **204**. The light **206** will propagate through the volume of the prism **204**, through the prism/sample interface (**204B**, **202B**) without suffering a total internal reflection, and to the reflecting surface **205A** in contact with the outside surface **202A** of the sample **202**.

The incident angle θ_{rec} may be set so that the condition of Equation (1) is met inside the recording medium sample **202**. The angle θ_{rec} may be measured between the wavevector of the incident recording light **206** and the reflective surface **205A**. Upon completing these steps, the incident recording beam **206** will be reflected at the reflecting surface **205A**. The reflected wave **208** will create a standing wave pattern via interference with the incident wave **206**. This pattern will be imprinted in the photosensitive material **202**, eventually leading to the formation of a Bragg grating at λ_{op} . In this case, λ_{op} need not be limited by the condition of Equation (2).

It should be understood that, if the reflective surface **205A** has a curvature, then the recorded VBG structure will have a period that varies depending on location. This effect can be used deliberately for recording VBG structures with continuously varying period with a required dependence of the latter on the position along the surface of the sample **202**.

FIG. 3 depicts recording with a prism **304** using an auxiliary optical flat **305** attached to the outside surface **302A** of the sample **302**. Light **306** at the recording wavelength enters the prism **304**, which may be made out of a transparent material. The sample **302** is attached to one side **304B** of the prism **304** so that a continuous path is formed from the inside of the prism **304** into the recording medium **302** without going into air. The auxiliary optical flat **305** is attached to the other side **302A** of the sample **302** so that a continuous path is formed from the inside of the sample **302** into the inside of the auxiliary optical flat **305** without going into air.

The light encounters total internal reflection (TIR) on the outside surface **305B** of the auxiliary optical flat **305**, upon which the incident wave **306** interferes with the reflected wave **308**, creating a standing wave pattern inside the recording medium **302**. Rotating the prism/sample assembly changes the incident angle θ_{rec} , which changes the angle of reflection θ_{rec} between the incident wave **306** and the reflected wave **308** of the recording light inside the recording medium **302**. This, in turn, leads to a change in the period of the Bragg grating. Therefore, continuous tuning of the Bragg grating period may be achieved via continuous rotation of the prism/sample assembly.

Thus, another embodiment of a method according to the invention for recording a reflective VBG filter may include having an auxiliary optical flat **305** made of a transparent material, such as glass, for example, brought into contact with the outside surface **302A** of the sample **302** of the recording medium. The auxiliary optical flat **305** may be prepared such that it has two flat surfaces **305A**, **305B**, at least one of which **305B** having an optical quality polish on it. A continuous optical path may be achieved from the inside of the recording medium sample **302** into the inside of the auxiliary optical flat **305** through their interface **302A**, **305A** without going into the air. In this case, recording will be accomplished when TIR occurs on the outside surface **305B** of the auxiliary optical flat **305**.

It should be understood that, if the back surface **305B** of the auxiliary optic flat **305** has a curvature, then the recorded VBG structure will have a period that varies depending on location. This effect can be used deliberately for recording VBG structures with continuously varying period, with a required dependence of the latter on the position along the surface of the sample **302**.

The above-described methods may provide any of a number of advantages over known systems. For example, because the Bragg grating is recorded through the operating surface of the VBG filter, the clear aperture of the resultant filter need not be limited by sample absorption or any other fundamental properties of the material. This allows for recording of the filters with, theoretically, arbitrarily large apertures. Also, the Bragg wavelength of the recorded gratings can be tuned continuously in a very wide range without making any changes in the recording setup (aside from rotating the sample/prism assembly on a rotation platform). Continuous tuning of λ_{op} from approximately 450 nm to approximately 1100 nm has been demonstrated. Further, only one beam needs to be incident onto the sample/prism assembly, which greatly simplifies the recording setup. The two interfering beams are created inside a solid medium and substantially do not propagate via different optical paths. This leads to an outstanding stability of the recording process. Additionally, polishing of the orthogonal sides of the VBG filter is not required, which greatly reduces the cost of the produced VBG filters.

FIG. 4 depicts recording with a pair of prisms **403**, **404** that are brought into contact with two surfaces **402A**, **402B** of the sample **402** of the recording medium so that a continuous path is formed from the inside of the prisms **403**, **404** into the recording medium **402** without going into air. The prisms **403**, **404** may be made of a transparent material, such as glass, for example. Two mutually coherent beams **406A**, **406B** of light at the recording wavelength may be formed and directed onto the prism/sample assembly. The two beams enter the recording medium **402** and form a standing wave pattern leading to the formation of a Bragg grating. Tuning of the angle $\Psi=2\theta_{rec}$ between the two recording beams **406A**, **406B** achieves tuning of the Bragg wavelength of the recorded

grating. Note that the two recording beams **406A**, **406B** may be exactly collinear and, therefore, be part of one continuous flat wavefront.

Thus, another embodiment of a method according to the invention for recording a reflective VBG filter may include making two prisms **403**, **404** out of a material that is transparent at the recording wavelength and has an index of refraction approximately equal to that of the recording medium **402**. Each prism **403**, **404** may be prepared such that at least two of its sides **403A**, **403B**, **404A**, **404B** are flat. At least one of those sides **403A**, **404A** may have an optical quality polish.

One of the sides **402A** of the recording medium **402** may be brought into contact with one of the flat sides **403B** of one of the prisms **403**. The other side **402B** of the recording medium **402** may be brought into contact with one of the flat sides **404B** of the other prism **404**. Thus, a continuous optical path may be achieved from the inside of the prisms **403**, **404** into the inside of the sample **402** through the flat interfaces **402A/404B**, **402B/403B** without going into the air.

Two mutually coherent beams **406A**, **406B** may be formed at the recording wavelength by using amplitude division, wavefront division, or any other of the well-known techniques of optical holography. Each of these two beams **406A**, **406B** may be injected into a respective one the two prisms **403**, **404** attached to the sample **402** of the recording medium. The incident angle of the recording light beams **406A**, **406B** may be set onto the prisms **403**, **404** so that the condition of the Equation (1) is met inside the recording medium **402**. The angle θ_{rec} may be measured between the wavevector of the incident recording beams **406A**, **406B** and their bisector. It should be understood that the two recording beams **406A**, **406B** may be parallel to each other and, therefore, may be parts of the same collimated beam of light.

It should also be understood that when the recording beams **406A**, **406B** have wavefronts that are curved, the recorded VBG structure will have a period that varies depending on location. This effect can be used deliberately for recording VBG structures with continuously varying period with a required dependence of the latter on position along the surface of the sample **402**.

The recording method described in connection with FIG. 4 also enables a simple and efficient way to manipulate the shape of the spectral response of the filters recorded according to the embodiment depicted in FIG. 1. A Bragg grating produced this way will have its grating planes parallel to the outside surface of the sample, and, also, one of its maxima located precisely at that surface as well. This allows successive recording of gratings with precisely controlled period and phase, which also can be viewed as harmonics of a Fourier decomposition of a function. It should be understood that this enables construction of filters with a variety of spectral shapes by simply reproducing its Fourier transforms during the recording process.

An embodiment of the invention will now be described that allows recording of filters with nearly square spectral profile. In this embodiment, a filter with a flat top and steep spectral roll-off may be created by: a) preparing the recording setup as described in the embodiment shown in FIG. 1, where the sample/prism assembly is positioned on a rotary stage, which may be motorized; b) programming the rotary stage to continuously rotate during the time the sample is exposed to the recording light, which will continuously change the Bragg wavelength of the grating being recorded; c) setting the rotation speed to a constant value, such that θ_{rec} and, therefore, λ_{op} , changes by the desired amount from the beginning of the

exposure to its end; increasing of the rotation speed and/or of the total amount of rotation will produce spectrally wider filters and vice versa.

FIGS. 5A and 5B depict recording of a filter with a flat top in the spectral response function. Recording may be performed as described in connection with FIG. 1. That is, light 506 at the recording wavelength may be injected into a prism 504. The light 506 will propagate through the volume of the prism 504 to the outside surface of the sample 502. The incident angle θ_{rec} may be set so that the condition of Equation (1) is met inside the recording medium sample 502. The angle θ_{rec} may be measured between the wavevector of the incident recording light 506 and the outside surface of the sample 502. Light 506 incident onto the sample 502 and light 508 reflected via the total internal reflection (TIR) on the outside surface of the sample 502 create a standing wave pattern inside the material 502. This pattern will be imprinted in the photosensitive material 502, eventually leading to the formation of a Bragg grating at λ_{op} .

The prism/sample assembly, however, may be rotated during the course of exposure, which changes the angle of reflection θ_{ref} . Preferably, the prism/sample assembly is rotated with substantially constant speed. As a result, a Bragg grating may be formed inside the recording medium 502 with an amplitude profile 520 approximately such as that depicted in FIG. 5B. Note that a single recording according to the steps described above will produce one half 520A, 520B of a symmetric filter 520. In order to produce a fully symmetric filter, two identical halves 520A, 520B may be brought into physical contact at the appropriate surfaces, as shown in FIG. 5C. When two identical filters 520A and 520B are recorded in such a manner and brought into direct contact, a continuous optical path may be formed from filter 520A into filter 520B and vice versa. The resultant compound filter 502 will have spectral response function 530 with flattened top, such as depicted in FIG. 5D.

FIGS. 6A and 6B depict recording of a filter with location-dependent grating period. The recording setup in this example is prepared as described above in connection with FIGS. 1-3. That is, light 606 at the recording wavelength may be injected into a prism 604. The light 606 will propagate through the volume of the prism 604 to the outside surface of the sample 602. The incident angle θ_{rec} may be set so that the condition of Equation (1) is met inside the recording medium sample 602. Light 606 incident onto the sample 602 and light 608 reflected via the total internal reflection (TIR) on the outside surface of the sample 602 create a standing wave pattern inside the material 602. This pattern will be imprinted in the photosensitive material 602, eventually leading to the formation of a Bragg grating.

A mask 610 with a horizontal slit 612 may be placed in the path of the recording light 606. The mask 610 covers the entrance aperture of the prism 604, except for the slit 612. During the course of exposure, the mask 610 is translated along a vertical translation axis (as shown by the double-headed arrow in FIG. 6B), and the prism/sample assembly is rotated, so that a grating is formed with different periods in different sample locations.

Thus, if a moving mask 610 is used during the recording process, a filter with a spatially varying wavelength profile can be constructed. This embodiment includes preparing the recording setup as described in either one of the embodiments shown in FIGS. 1-3, where the sample/prism assembly 602/604 is positioned on a rotary stage (not shown), which is preferably motorized. A mask 610 may be placed in front of the prism/sample assembly 602/604 in the path of the recording beam 606. The mask 610 may have a horizontal slit 612 of

a desired width w , and may be positioned on a translation stage (not shown), which is preferably motorized. The translation stage enables the mask 610 to move in a direction perpendicular to the slit 612.

The rotary stage controlling the sample/prism assembly 602/604 and the linear stage controlling the mask 610 may be programmed to move coordinately, so that the desired regions of the sample 602 are exposed at a desired incident angle θ_{rec} of the recording beam, or over a range of incident angles. This method can produce either a discrete pattern of regions containing gratings of different Bragg wavelength, or a grating with continuously varying Bragg wavelength along one spatial direction ("wavelength-shifted" VBG). It should be understood that instead of a slit mask, the recording beam itself can be shaped into a thin line and then translated across the face of the prism/sample assembly in the manner described above.

Another embodiment for recording a VBG with spatially varying period is shown in FIG. 7. In this case, an optical element 710 may be placed in the path of the recording beam 706. Normally, the recording beam 706 will be collimated. The optical element 710 will produce a curved wavefront 707, which, upon entering the prism 704 and the sample 702 of the recording medium, is reflected from either the back surface of the recording medium 702 or other reflective surfaces, such as those described in connection with FIGS. 1-3. The optical element may be a lens, for example, or a phase mask or any optical element or system of optical elements capable of changing the shape of the incident wavefront.

The reflected wavefront 708 has the same curvature as the incident wavefront 707, which will result in different intercept angles θ_1 , θ_2 between the incident wave 707 and the reflected wave 708 in different locations within the sample 702. The incident wave 707 and reflected wave 708 create a standing wave pattern inside the recording medium with a period that depends on the local angle, e.g., θ_1 , θ_2 , of the incident wavefront 707 relative to the reflecting surface 702A (or to the normal to the reflecting surface). As a result, a grating with spatially varying period may be recorded.

This method has the advantage of simplicity of the recording, since there is no need to move any parts during the recording process. It should be understood that instead of a positive or negative lens 710, a system of lenses or other optical elements (e.g., phase masks) can be used in order to produce a wavefront 707 with desired shape to record a VBG with a particular dependence of its period on the location across its aperture.

Thus, there have been described methods for manufacturing volume Bragg grating elements for use in optical devices. Those skilled in the art will appreciate that numerous changes and modifications may be made to the described embodiments of the invention, and that such changes and modifications may be made without departing from the spirit of the invention. That is, the invention extends to all functionally equivalent structures, methods, and uses that are within the scope of the appended claims. Those skilled in the art, having the benefit of the teachings of this specification, may affect numerous modifications thereto and changes may be made without departing from the scope and spirit of the invention in its aspects.

What is claimed:

1. A method for recording a volume Bragg grating structure having a target wavelength, the method comprising:
 - providing a photosensitive recording medium;
 - bringing a first face of the recording medium into contact with a face of a prism, the prism being made of a material that is transparent at a recording wavelength;

recording a Bragg grating onto the recording medium by exposing the prism to an incident light wave at the recording wavelength; and

bringing an auxiliary piece of transparent material into contact with the first face of the recording medium such that a standing wave fringe pattern is formed within the recording medium due to a total internal reflection of the incident light on a face of the auxiliary piece of transparent material.

2. A method according to claim 1, wherein the recording wavelength is shorter than the target wavelength.

3. A method according to claim 1, wherein the recording medium is photosensitive at the recording wavelength.

4. A method according to claim 1, further comprising: bringing the first face of the recording medium into contact with the first face of the prism such that the incident light can enter into the recording medium at a prescribed angle.

5. A method according to claim 1, further comprising: adjusting an angle between the prism and the incident light wave during exposure of the recording medium to the incident light to produce a filter with a desired spectral response.

6. A method according to claim 1, further comprising: adjusting an angle between the prism and the incident light wave during exposure of the recording medium to the incident light to produce a filter with a location-dependent target wavelength.

7. A method according to claim 1, further comprising: bringing a second face of the recording medium into contact with a face of a second prism, the prism being made of a material that is transparent at the recording wavelength; and

recording the Bragg grating onto the recording medium by exposing the second prism to a second incident light wave at the recording wavelength.

8. A method according to claim 1, further comprising: rotating the prism and the recording medium to produce a first half of a symmetric filter in the recording medium.

9. A method according to claim 8, further comprising: providing a second photosensitive recording medium; bringing a first face of the second recording medium into contact with a face of a prism, the prism being made of a material that is transparent at a recording wavelength; recording a Bragg grating onto the second recording medium by exposing the prism to an incident light wave at the recording wavelength; and

rotating the prism and the second recording medium to produce a second half of the symmetric filter in the second recording medium.

10. A method according to claim 9, further comprising: bringing the first and second recording media into direct contact to form a continuous optical path from the first medium into the second medium.

11. A method according to claim 1, further comprising: placing a mask proximate an entrance face of the prism, the mask having a slit and preventing exposure of the entrance face of the prism to the incident light wave except through the slit.

12. A method according to claim 11, further comprising: translating the mask along an axis relative to the entrance face of the prism,

rotating the prism and the recording medium relative to the incident light wave such that a grating is formed within the recording medium, the grating having varied periods in various locations within the recording medium.

13. A method according to claim 1, further comprising: placing an optical element proximate an entrance face of the prism, said optical element receiving said incident light wave and producing a curved wavefront that is incident on an entrance face of the prism,

wherein a grating having a spatially varying period is recorded within the recording medium.

14. A method for recording a volume Bragg grating structure having a target wavelength, the method comprising:

providing a photosensitive recording medium; bringing a first face of the recording medium into contact with a face of a prism, the prism being made of a material that is transparent at a recording wavelength; recording a Bragg grating onto the recording medium by exposing the prism to an incident light wave at the recording wavelength;

rotating the prism and the recording medium to produce a first half of a symmetric filter in the recording medium; providing a second photosensitive recording medium; bringing a first face of the second recording medium into contact with a face of a prism, the prism being made of a material that is transparent at a recording wavelength; recording a Bragg grating onto the second recording medium by exposing the prism to an incident light wave at the recording wavelength; and

rotating the prism and the second recording medium to produce a second half of the symmetric filter in the second recording medium.

15. A method for recording a volume Bragg grating structure having a target wavelength, the method comprising:

providing a photosensitive recording medium; bringing a first face of the recording medium into contact with a face of a prism, the prism being made of a material that is transparent at a recording wavelength; recording a Bragg grating onto the recording medium by exposing the prism to an incident light wave at the recording wavelength; and placing a mask proximate an entrance face of the prism, the mask having a slit and preventing exposure of the entrance face of the prism to the incident light wave except through the slit.

16. A method for recording a volume Bragg grating structure having a target wavelength, the method comprising:

providing a photosensitive recording medium; bringing a first face of the recording medium into contact with a face of a prism, the prism being made of a material that is transparent at a recording wavelength; recording a Bragg grating onto the recording medium by exposing the prism to an incident light wave at the recording wavelength; and

placing an optical element proximate an entrance face of the prism, said optical element receiving said incident light wave and producing a curved wavefront that is incident on an entrance face of the prism,

wherein a grating having a spatially varying period is recorded within the recording medium.