

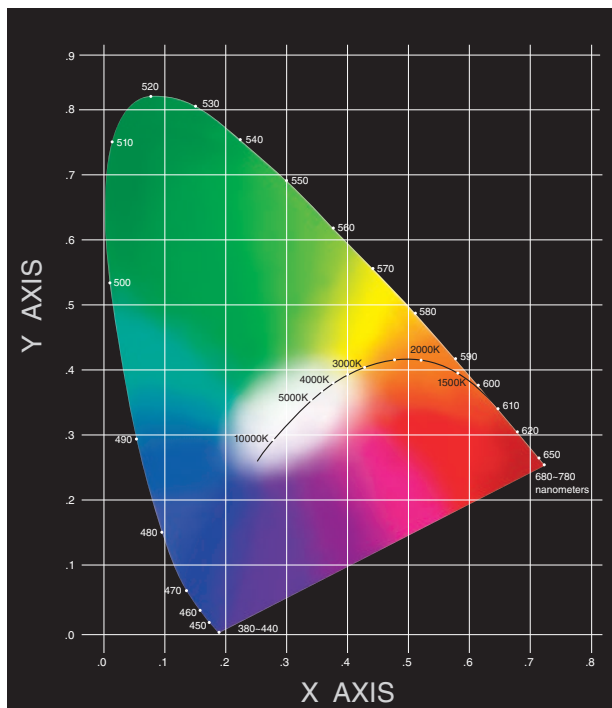


## Colorlite™ Colored Metal Halide

Paint accents with colorful light! Ushio Colorlite™ metal halide lamps produce saturated colors of blue, green, magenta and orange. The special mixture of halides provide all of the color without the use of expensive gels or color filters. Colorlite lamps can be used with standard metal halide ballasts and fixtures.

Available in: ED17, 150W & 175W in Blue, Green, Magenta & Orange  
 T15, 250W & 400W in Blue, Green & Magenta  
 T25, 1000W in Blue & Green

### CHROMATICITY DIAGRAM



### FEATURES & BENEFITS

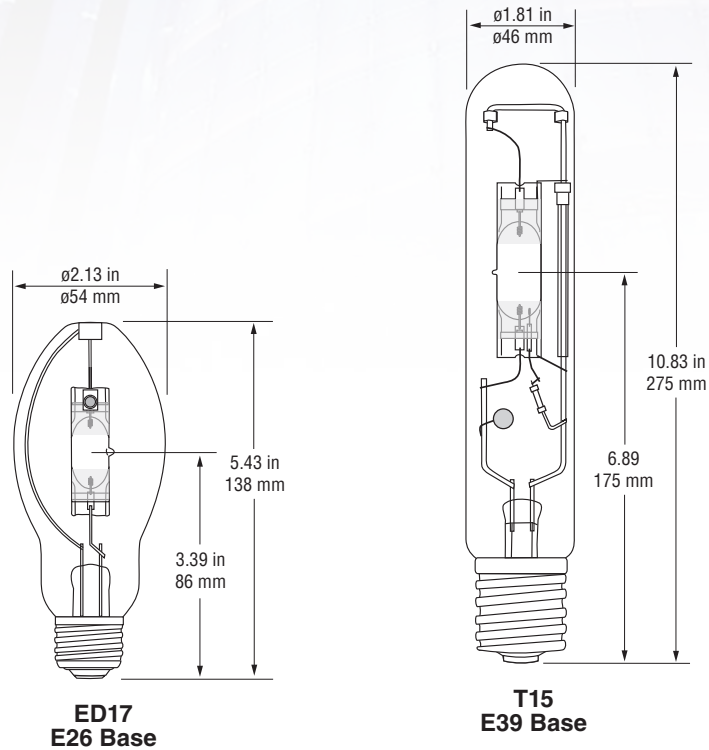
- High Color Saturation
- No Color Filter Required for Fixture
- High Efficiency
- Consistent Color

### APPLICATIONS

- Theme Parks
- Building Facades
- Theatre and Stage Effects
- Recreation Centers
- Bridges
- Gardens and Parks
- Museums and Galleries
- Shop Windows
- Balloon Lights
- Landscape
- Aquascape

COLORLITE™ Chromaticity Coordinates			
<b>ED 17</b>			
150W & 175W	Blue	X=0.19	Y=0.14
	Green	X=0.25	Y=0.55
	Magenta	X=0.37	Y=0.24
	Orange	X=0.49	Y=0.36
<b>T15</b>			
400W	Blue	X=0.20	Y=0.14
	Green	X=0.25	Y=0.59
	Magenta	X=0.35	Y=0.26

# SPECIFICATIONS



Case Quantity: 12

Watts (W)	Ordering Code	Lamp Description	Bulb Type	Bulb Finish	Dimensions				Luminous Flux (lm)	Wavelength (nm)	Saturation (%)	Avg Rated Life (h)	Ballast
					MOL (in / mm)	LCL (in / mm)							
<b>E26 Screw Base</b>													
150	5001498	UHI-S150/E26/MAGENTA	ED17	Clear	5.43	138	3.39	86	7500	-530	43	6000	M102/E
175	5001455	UHI-S150/E26/BLUE	ED17	Clear	5.43	138	3.39	86	3900	470	70	6000	M57/E
<b>E39 Screw Base</b>													
400	5000948	UHI-S400MG	T15	Clear	10.83	275	6.89	175	21000	-500	25	8000	M59/E

**Recommended Ignition Voltage:** 4kV

Lamp should be switched off for at least 15 minutes/week.

Discontinued - For Reference Only

**ANSI Fixture Requirement:** /E =Enclosed Fixtures Only

USE IN ENCLOSED FIXTURES ONLY - Universal Burn Position

 contains mercury  
contient du mercure



Manage in Accord with Disposal Laws  
www.lamprecycle.org 1-800-895-8842

**⚠ CALIFORNIA PROPOSITION 65 WARNING:** These products can expose you to Mercury known to the state of California to cause birth defects or other reproductive harm. For more information, please go to: [www.p65warnings.ca.gov](http://www.p65warnings.ca.gov)

# USHIO