

PD-LD Inc. offers a variety of standard and custom large active area InGaAs PIN Photodiodes in fiber coupled packages. These semiconductors are of proven manufacture and design. InGaAs is optimal from 1000 to 1650nm . All devices are available in fiber pigtailed co-axial packages or in connector style receptacle packages.

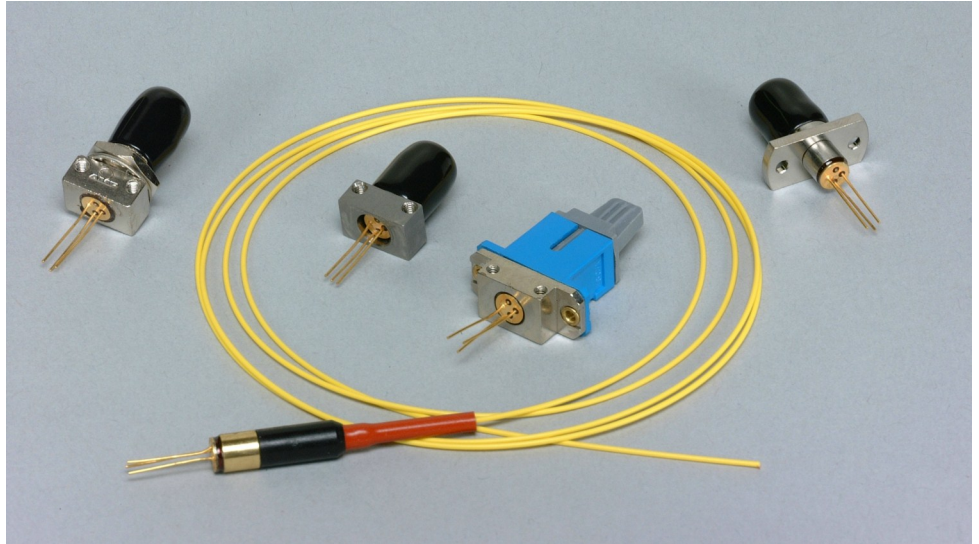
Pigtailing

Devices can be pigtailed with any size optical fiber that is compatible with its active area size. Pigtails may range in core size from 3 um to 200 micron. One meter is the standard length, but any length or connector termination may be specified. Pigtails may be terminated with ST, FC, SC and LC connectors with either PC or APC polish.

Receptacles

Standard ST, FC and SC housings are available in both panel and board mountable versions. These receptacles can be optimized for use with both single mode and multimode optical fibers.

RoHS Compliant



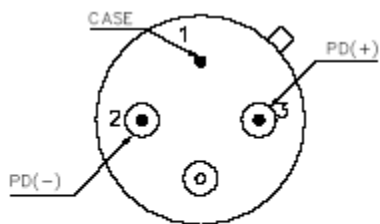
Manufacturing

PD-LD Inc. maintains a large inventory of the most popular detector sizes and pin-outs. Efficient package designs and manufacturing processes allow PD-LD to rapidly support both small and large volume requirements. Complete 100% testing of all critical parametric device values ensure optimal performance and quality. Not all receptacle packaging styles are represented on this data sheet, so please contact PD-LD for specific needs.

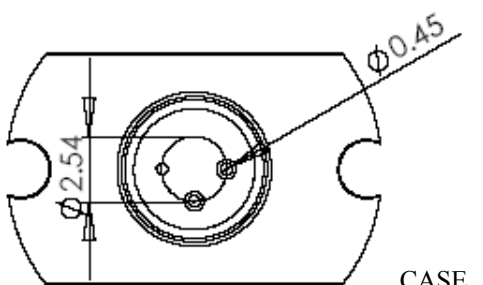
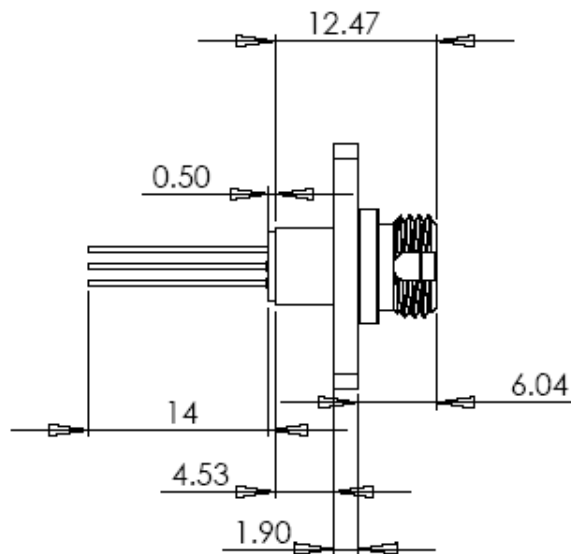
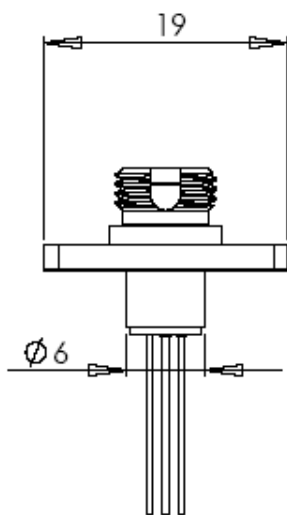
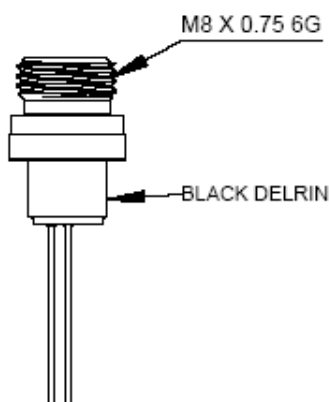
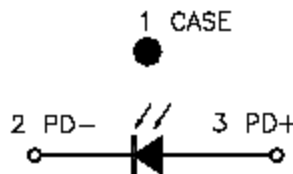
PDINCC Series 1mm Diameter InGaAs PIN Photodiode					
Parameter	Unit	Min.	Typical	Max	Test Conditions
Wavelength	nm	1000		1650	
Active Area	mm		1		
Responsivity	A/W	0.85	0.90		V _r =5V 1550nm
Dark Current	nA			5	V _r =5V, T _c =25°C
Capacitance	pF		100		V _r =5V
Shunt Resistance	M Ohm	10			
Bandwidth	MHz	30			V _r =5V

Pinout & Mechanical Dimensions (mm)

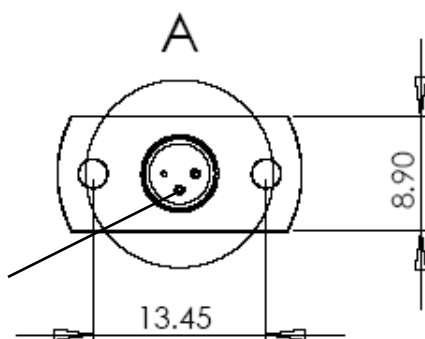
Mechanical Drawing FC Receptacle Panel Mount PIN Photodiode
PDINCC1.0FC1A-T-0



BOTTOM VIEW



DETAIL A
SCALE 4 : 1



NOTES:

1. THESE DEVICES ARE ESD SENSITIVE. ESD PRECAUTIONS ARE ADVISED.
2. ALL DEVICES ARE SHIPPED WITH ESD LEAD PROTECTORS AND DUST COVERS.
3. ALL DEVICES WILL BE MARKED WITH A PD-LD SERIAL NUMBER.

InGaAs Absolute Maximum Ratings (Tc=25°C)

Parameter	Symbol	Value	Unit
Reverse Voltage	V_R	10	V
Forward Current	I_F	50	mA
Operating Temperature	T_{OPR}	-40 to 85	°C
Storage Temperature	T_{STR}	-40 to 85	°C
Input Optical Power	P	50	mW
Soldering Temperature		260/10	°C/sec