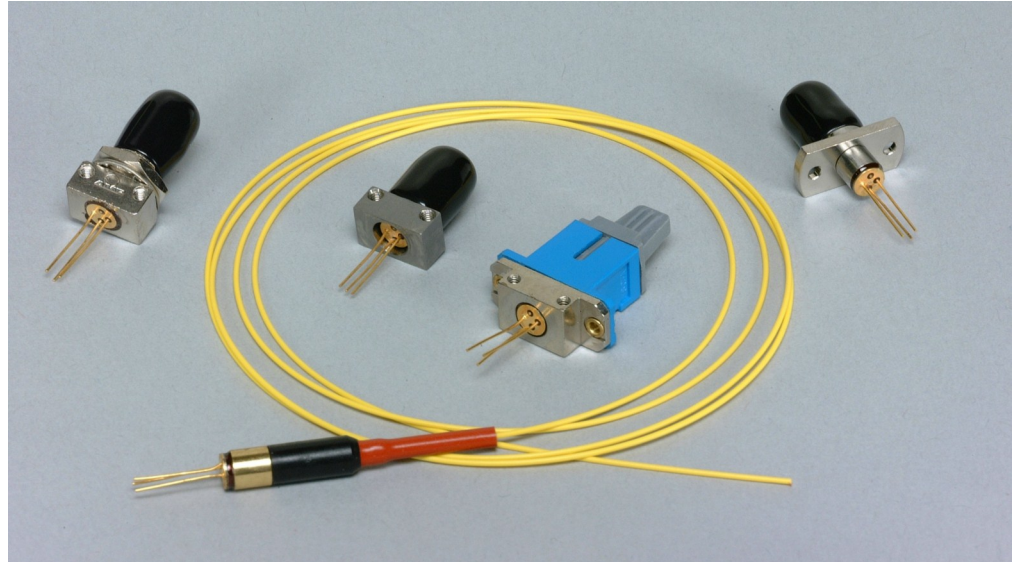


PD-LD Inc. offers a variety of standard Surface Emitting LED's (SLEDs) in ready to use fiber coupled packages. Packaging options include Receptacle style housings such as ST, FC and SC as well as fiber pigtailed coaxial assemblies. SLEDs are typically used with multi-mode optical fiber and may be specified for coupling to 50um , 62.5um or 100um core optical fibers. Units built with fiber pigtailed are available terminated with optical connectors. Specialty fiber sizes may be available upon request.

The SLED product offering includes both 850nm and 1310nm devices. These units produce broad spectrum, incoherent light and have wide spectral widths. Such SLED's may be modulated from DC to 150 MHz or operated in continuous wave mode.

These devices may be operated in both analog or digital applications. It is typical to drive the SLED's with up to 100mA forward current. Such devices do not require internal monitor photodiodes which simplifies drive circuit designs. The robust nature of these units allow for operation



Features 850nm SLEDs

- High reliability GaAlAs Diode
- Compact, robust receptacle & coax fiber-coupled package
- 5 to 30 uW into MMF

Features 1310nm SLEDs

- InGaAs Diodes systems
- Wide Spectral Width, 160nm
- Ideal for Networking Applications
- DC to 200MHz operation

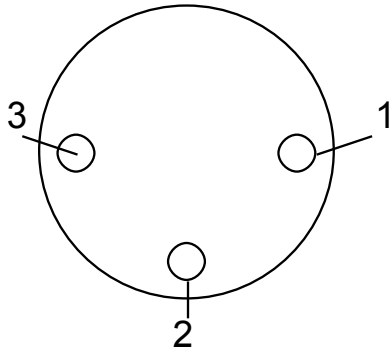
PD-LD Part Number	Wavelength Typ. (nm)	Operating Current (mA)		Fiber Type Core/Cladding (um)	Fiber Coupled Power (uW)		Pin-Out	Spectral Width FWHM (nm)	Rise/Fall Time Max. (nsec)
		Typ.	Max		Min	Typ			
850nm GaAlAs SLED (Iop=100mA @ 25C, 1.8V)									
PS85K020SC22-Q-0	850	100	110	50/125	20	25	D	35	6.0
PS85K020FC22-Q-0	850	100	110	50/125	20	25	D	35	6.0
PS85K020ST72-Q-0	850	100	110	50/125	20	25	D	35	6.0
1310nm InGaAs SLED (Iop=100mA @25 C, 1.8V)									
PS13L030300A-0-0-01	1310	100	110	62.5/125	30	35	D	160	3.0
PS13L020FC22-Q-0	1310	100	110	50/125	20	25	D	160	3.0
PS13T020ST72-Q-0	1310	100	110	50/125	20	25	D	160	3.0

¹Examples only; most device/package combinations available.

Changes to specifications may be made without notice.

11-12 PS Series.Rev C

SLED PIN-OUT



SLED	
Pin-Out	“85K”, “13L”, “13T”
Pin #1	SLED Anode
Pin #2	SLED Cathode
Pin #3	Case Ground

Ordering Information

Pigtailed Devices

PXWWWPPPFCCB-0-V-LL

X = S for SLED

WWW=Wavelength and Pin-out

S85K = 850nm SLED

S13L, S13T= 1300nm SLED

Receptacle Devices

PXWWWPPPRRRF-O-V

PPP = Fiber-Coupled Power

005 = 5uW 015 = 15uW 0.1= 0.1mW

008 = 8uW 020 = 20uW 0.5= 0.5mW

010 = 10uW 030 = 30uW

F = Fiber Type

1 = 9/125 SMF

2 = 50/125 MMF

3 = 62.5/125 MMF

4 = 100/140 MMF

9 = Customer Supplied

B = Bracket Type

A = None

B = Panel Mount

C = Board Mount

RRR=Receptacle Type

FC1=FC Panel mount

FC2=FC Board mount

SC1=SC Panel mount only

SC2=SCPanel/board mount

ST7=ST low profile(7.9mm)

ST8=ST high profile(10.4mm)

O=Orientation

0=N/A

A=Bracket Shipped Loose (pigtailed unit

Specify orientation as required

V=Version

0=Standard

Unique Codes for specific requirements

LL = Length in meters (01,02,0.5 ect.) (pigtailed devices only)

CC = Connector Type (pigtailed devices only)

ST = ST/PC

SC = SCPC

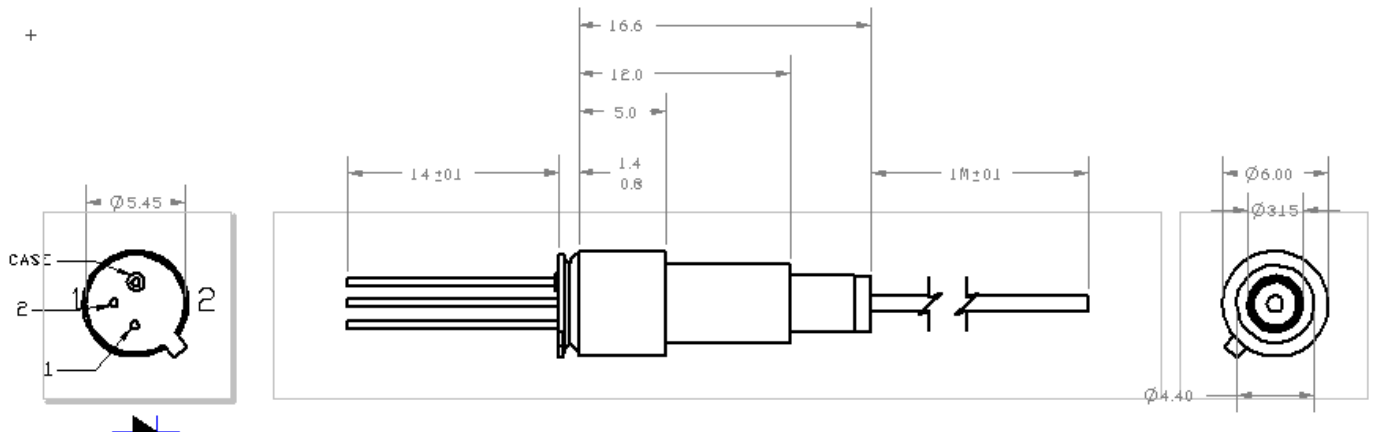
SA=SC/APC

FC = FC/PC

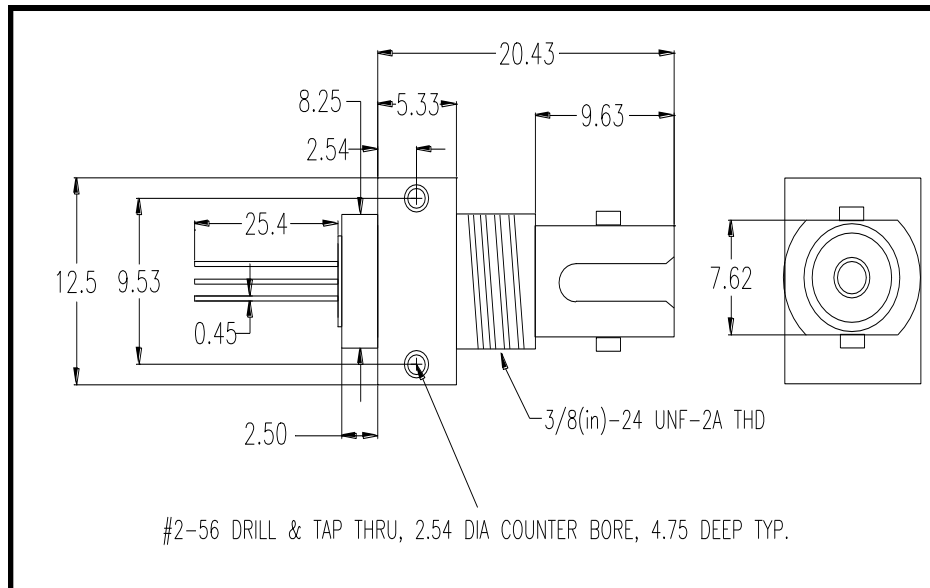
FA = FC/APC

FU = FC/UPC

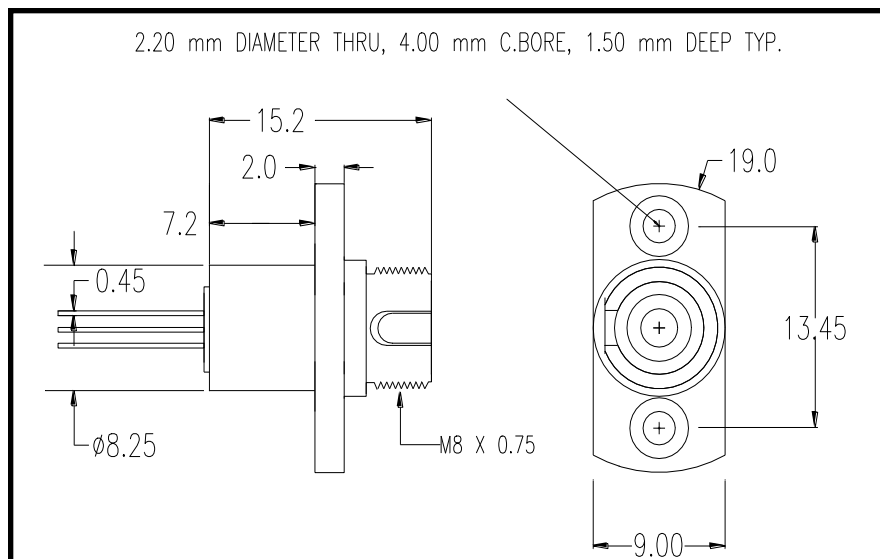
OO = No Connector



Mechanical Dimensions for Receptacle Packages



ST Receptacle Height
Low Profile 7.9mm
High Profile 10.4mm



¹Examples only; most device/package combinations available.

Changes to specifications may be made without notice.

11-12 PS Series.Rev C

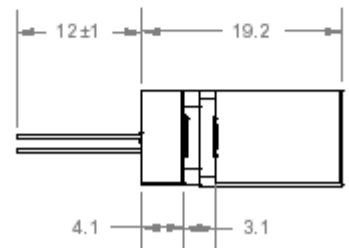
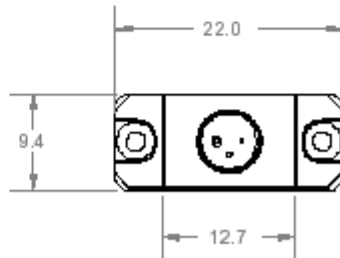
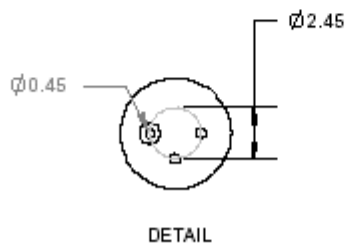
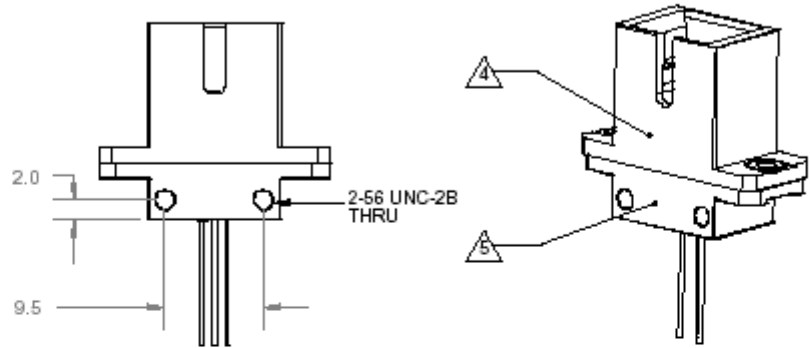
SC Board Mount Receptacle
"Q" Lead Orientation

NOTES:

- 1 THESE DEVICES ARE ESD SENSITIVE. ESD PRECAUTIONS ARE ADVISED.
- 2 ALL DEVICES ARE SHIPPED WITH ESD LEAD PROTECTORS AND DUST COVERS.
- 3 ALL DEVICES WILL BE MARKED WITH A PD-LD SERIAL NUMBER.

4 PLASTIC, BLUE


5 BRASS, NICKEL PLATED

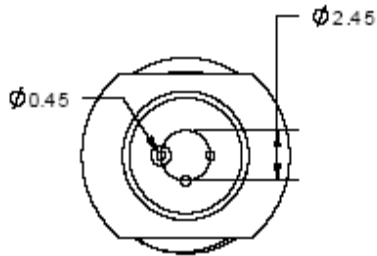
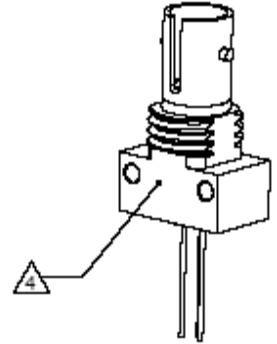
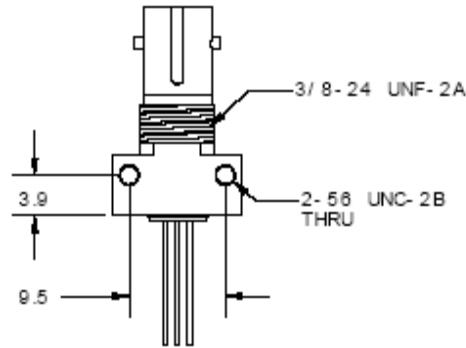


ST Board Mount Receptacle
 Low Profile with "W" Lead Orientation

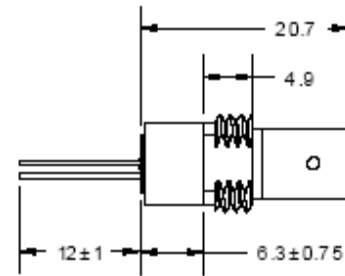
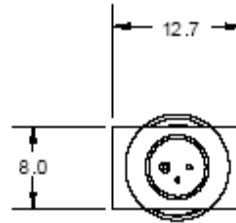
NOTES:

- 1 THESE DEVICES ARE ESD SENSITIVE. ESD PRECAUTIONS ARE ADVISED.
- 2 ALL DEVICES ARE SHIPPED WITH ESD LEAD PROTECTORS AND DUST COVERS.
- 3 ALL DEVICES WILL BE MARKED WITH A PD-LD SERIAL NUMBER.

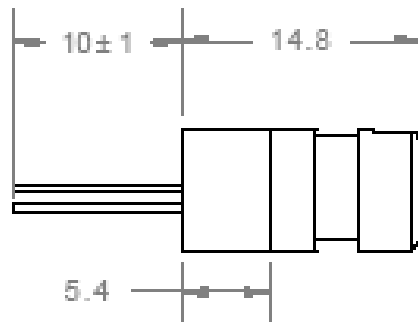
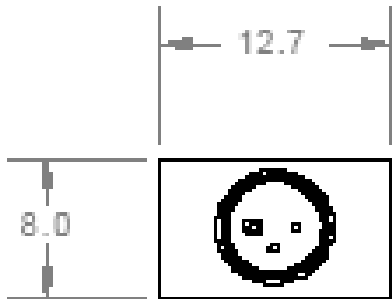
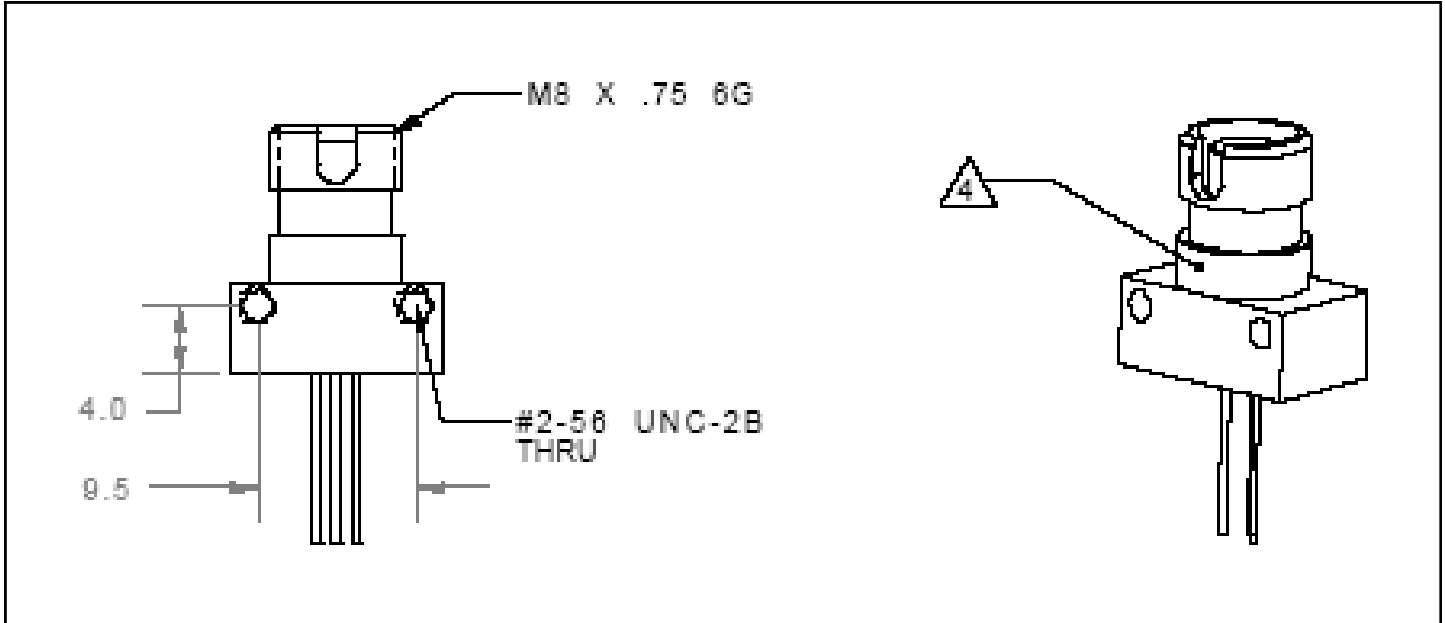
 ZINC, DIE CAST
 NICKEL PLATED



DETAIL



FC Board Mount Receptacle Housing



¹Examples only; most device/packaging combinations available.

Changes to specifications may be made without notice.

11-12 PS Series.Rev C