



Takumi 2000A Xenon Followspot

Xenon Followspot for Stage Lights

The Takumi-2000A xenon followspot from Ushio has its roots in Japanese followspot manufacturing dating back to 1965. With a lightweight, compact design unmatched by any other spotlight in its class, this 2kW xenon followspot features easy maneuverability and handling.

The smart balance feature allows the operator to set their own customized neutral position for superior ergonomics and individual tuning to the specific venue. An achromatic lens and advanced iris gives a sharp-edged and uniform spot. The optical system was optimized to increase the maximum light output by incorporating the reflector, lenses and USHIO xenon lamp as a uniform system.

The douser utilizes a unique blade shape to create smooth and uniform mechanical dimming. The high voltage power supply automatically reduces the current when either the iris, douser or cutter are closed. This allows for reduced energy consumption and extended life of the lamp and fixture parts. Together these product features make the Takumi-2000A the best choice when purchasing a medium throw followspot today.

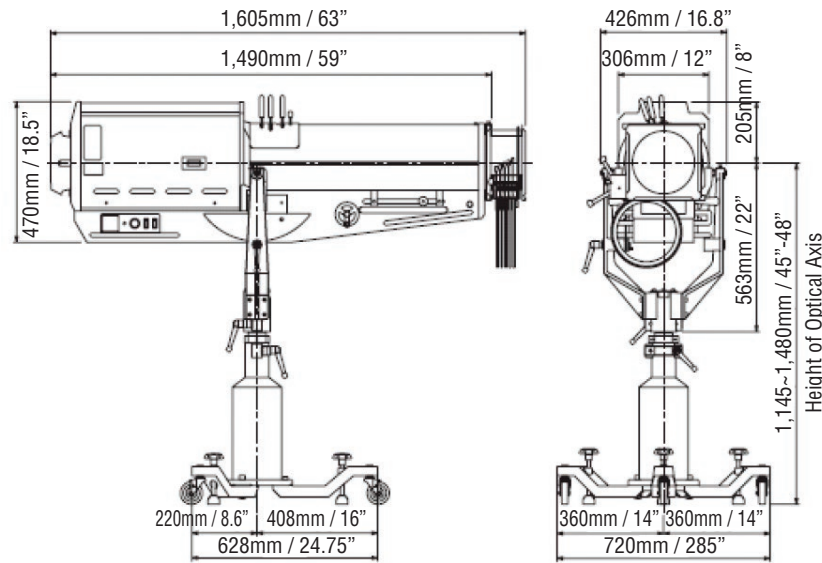
FEATURES & BENEFITS

- Easy Handling & Excellent Balancing
- Compact Size & Lightweight
- Quick Start & Quick Stabilization
- Flickerless USHIO UXL Series Xenon Short Arc Lamp: UXL-20PRS
- Achromatic Lens
- Flexible Light Output Control When Iris Shutter/ Douser/ Cutting Shutter are all Closed, the Electric Current for Lamp Will Automatically be Reduced to Half

APPLICATIONS

- Theatrical
- Stage and Concert
- Special Events

SPECIFICATIONS



TAKUMI-2000A											
Throw Distance (m)	25	30	35	40	45	50	60	70	80	90	100
Spot Diameter (m)	1.5	1.7	2.0	2.3	2.6	2.9	3.4	4.0	4.6	5.1	5.8
Throw Distance (ft)	82	98	115	131	148	164	197	230	262	295	328
Spot Diameter (ft)	5	5' 6"	6' 6"	7' 6"	8' 6"	8' 7"	11' 2"	13' 1"	15	16' 8"	19
Luminosity (Lx)	20000	14000	10400	8000	6200	5000	3500	2600	2000	1550	1250

SPOT HEAD	TAKUMI-2000
Minimum Throw Distance	6 m / 20 ft.
Operation Angle Range	10° Upward / 45° Downward
Weight	61 kg / 134 lbs.
Dimensions	D 1490 x W 426 x H 470 (mm) / D 59" x W 17" x H 18.5"
Noise	<42 dB (Distance 1m)
Material	Aluminum Casting & Iron Pipe
XENON SHORT ARC LAMP	UXL - 20 PRS
Rated Lamp Voltage	DC 25V
Rated Lamp Power	1,750W
Rated Lamp Current	DC 70A, Actual Current Range: 56-70A
Luminous Flux	64,000 lm
Color Temperature	6,000K
Cooling	Forced 6-9 m/s
Average Life	1,000 h

RECTIFIER	XB-20202ATF
AC Input Voltage	Single Phase AC 200-240V
Frequency	50/60 Hz
AC Input Current	13A (200V)
Weight	16.5 kg / 36 lbs.
Dimensions	D 450 x W 180 x H 380 (mm) / D 18" x W 7" x H 15"
STAND	ST-2000
Material	Aluminum Casting & Iron Pipe
Weight	41 kg / 90lbs.
Dimensions	D 628 x W 720 x H 702 mm - 1,037 (mm) / D 24.7" x W 28.3" x H 27.6" - 40.8"

