



Ultra-Arc™ Metal Halide

Metal Halide Lamps for HPS Retrofit

Ushio Ultra-Arc™ Metal Halide lamps feature the best combination of color balance and color rendering quality available for a direct retrofit into High Pressure Sodium fixtures.

The Ultra-Arc lamps are used in High Pressure Sodium fixtures where the high color rendering, and white light of metal halide is desired. Ideal for areas where security is a concern - higher color rendering lamps allow for surveillance/security cameras and eyewitnesses to visually interpret in true colors.

Available in T15 bulb shape, E39 mogul base; 250W and 400W with a color temperature of 5200K

FEATURES & BENEFITS

- High Pressure Sodium Retrofit - No Need to Change Ballast and Ignitor
- High Color Temperature - 5200K
- Excellent Color Rendering - 85 CRI
- High Color Stability
- Long Life - Up to 20,000 Hours Average Life

APPLICATIONS

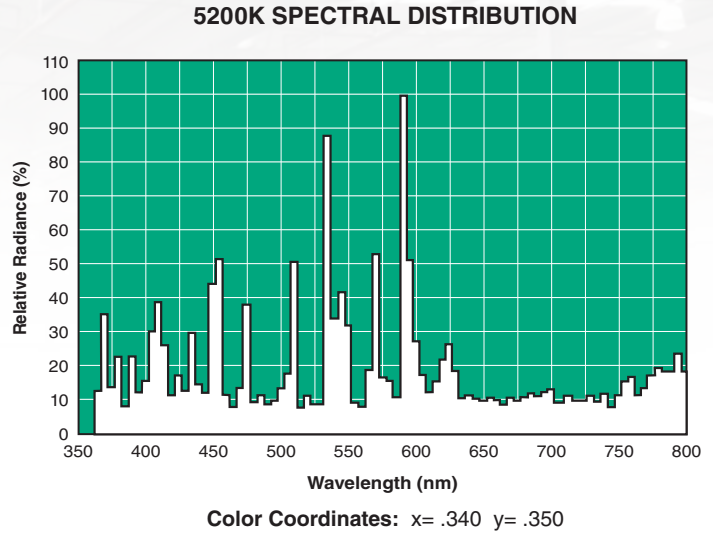
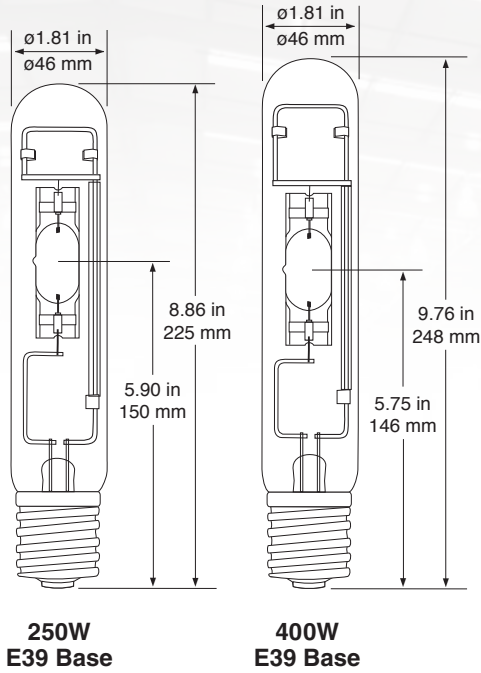
- Security
- Parking Structures and Lots
- Downlighting
- Commercial and Industrial
- Walkways
- Bus Stops
- Pedestrian Areas

HIGH PRESSURE SODIUM	METAL HALIDE
LU250 ED18	→ UHI-S250DD, T15
LU400 ED18	→ UHI-S400DD, T15
22 CRI	→ 85 CRI
2100K	→ 5200K
Ballast	Ballast
S50 - 250W; S51 - 400W	→ S50 - 250W; S51 - 400W



UltraArc™ Metal Halide lamps are manufactured under ISO 9001 guidelines ensuring quality and security for the purchaser.

SPECIFICATIONS



Sold in Case Quantity Only (12/case)

Watts (W)	Ordering Code	Lamp Description	Lamp Current (A)	Arc Gap (mm)	Color Temp (K)	CRI	Luminous Flux (lm)	Mean Luminous	Average Life (h)		ANSI Ballast / Fixture
									Vert. Burn Position	Hor. Burn Position	
E39 Mogul Screw Base											
400	5000798	UHI-S400DD	4.6	27	5200	85	33000	23000	20000	15000	S51/E*

*Use with ignitor

Recommended Ignition Voltage: 2kV

Burn Cycle: 11 hours ON, 1 hour OFF (Recommended shut down 15 minutes per week)

All dimensions shown in inches unless otherwise noted.

Discontinued - For Reference Only

ANSI Fixture Requirement: /E = Enclosed Fixtures Required

R - Non Self-Extinguishing Lamp

WARNING: This lamp can cause serious skin burn and eye inflammation from shortwave ultraviolet radiation if outer envelope of the lamp is broken or punctured. Do not use where people will remain for more than a few minutes unless adequate shielding or other safety precautions are used. Lamps that will automatically extinguish when the outer envelope is broken or punctured are commercially available. Complies with the USA Federal Standard 21 CFR 1040.30 and Canada Standard SOR/80-381.

contains mercury
contient du mercure



Manage in Accord with Disposal Laws
www.lamprecycle.org 1-800-895-8842

⚠ CALIFORNIA PROPOSITION 65 WARNING: These products can expose you to Mercury known to the state of California to cause birth defects or other reproductive harm. For more information, please go to: www.p65warnings.ca.gov

USHIO