



Uphoria™ Edge LED MR16

LED MR16 Lamps

Ushio America introduces the ENERGY STAR® certified Uphoria™ Edge LED MR16 lamp family. Available in 5W and 6.5W models, these lamps offer an energy saving alternative for 35W to 50W halogen lamps with improved efficacy compared to their LED predecessors. With the form, fit and function of traditional halogen MR16 lamps, these dimmable LEDs are lightweight with a smooth reflector design and provide 85-87% savings on energy costs. The Uphoria Edge series of premium LED MR16 lamps are damp location rated and are available in flood beam spreads.

Uphoria Edge LED MR16 lamps showcase two body designs that allow for improved efficacy and thermal management. The compact design of the 5W lamps allows for maximum heat dissipation while considering material efficiency. The 6.5W lamps feature a thermal design that allows air to flow through the inside and outside of the lamp and over the heat sink to maintain a proper temperature of the LEDs and achieve a reliable optimal output. These unique designs cool the lamps without the use of heat sink fins providing a sleek, modern look while still maintaining a quality light output and ensuring long life.

Ushio America is proud to stand behind these ENERGY STAR® certified LED lamps with a 3-year limited warranty. All Uphoria Edge LED MR16 lamps operate on 12V in either a Soft White (2700K) or a Warm White (3000K) color temperature.

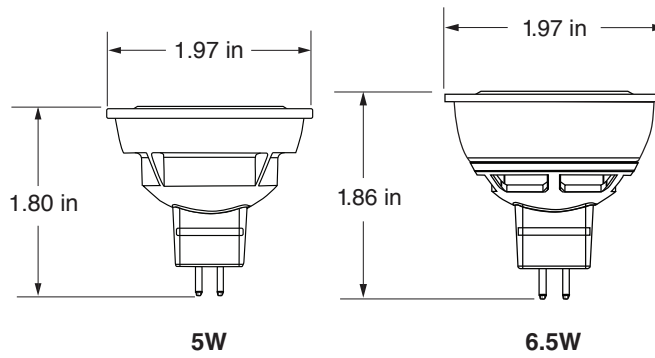


FEATURES & BENEFITS

- Energy Saving
- Dimmable
- Direct Replacement for Halogen MR16 Lamps
- Damp Location Rated
- 25,000 Hours Rated Life
- Application Friendly: UV Free & IR Free
- Environmentally Friendly: Mercury Free, Lead Free and RoHS Compliant
- 3-Year Limited Warranty

APPLICATIONS

- Track Lighting
- Recessed Lighting
- Landscape Lighting
- Accent Lighting
- Art Gallery & Museum Lighting
- Hospitality Lighting



GU5.3 Base

Case Quantity: 24

Watts (W)	Ordering Code	Lamp Description	Volts (V)	Color Temp (K)	Beam Angle	Beam Spread	Lumens* (lm)	CBCP* (cd)	CRI	Rated** (h)
5	1004142	UPHORIA EDGE LED MR16, FL35, SW27	12	2700	35°	Flood	350	963	80+	25,000
5	1004143	★ UPHORIA EDGE LED MR16, FL35, WW30	12	3000	35°	Flood	350	983	80+	25,000
6.5	1004144	UPHORIA EDGE LED MR16, FL35, SW27	12	2700	35°	Flood	500	1323	80+	25,000
6.5	1004145	UPHORIA EDGE LED MR16, FL35, WW30	12	3000	35°	Flood	500	1302	80+	25,000

* Photometric data is based on LM-79 tests.

** Average life based on 70% lumen maintenance. LM-80 data available.

★ ENERGY STAR® Certified

Not compliant with California Title 20.

Discontinued - For Reference Only

Electrical Specifications:

Driver: High Efficiency

Power Factor: > 0.7

Dimming: See www.ushio.com for dimmer compatibility options.

CAUTIONS:

Not for use in totally enclosed fixtures.

Suitable for dry and damp locations.

Not for use in emergency or exit lighting.

Photometrics

2700K

Item 1004142
5W LED MR16, FL35, SW27

ø(ft)	H(ft)	E(fc)
2.0	3.3	89.49
3.9	6.6	22.37
5.9	9.8	9.94
7.8	13.1	5.59
9.8	16.4	3.58
35°		5W
5W LED MR16, FL35, SW27		

Item 1004144
6.5W LED MR16, FL35, SW27

ø(ft)	H(ft)	E(fc)
1.9	3.3	123.20
3.8	6.6	30.79
5.7	9.8	13.69
7.6	13.1	7.70
9.5	16.4	4.93
35°		6.5W
6.5W LED MR16, FL35, SW27		

3000K

Item 1004143
5W LED MR16, FL35, WW30

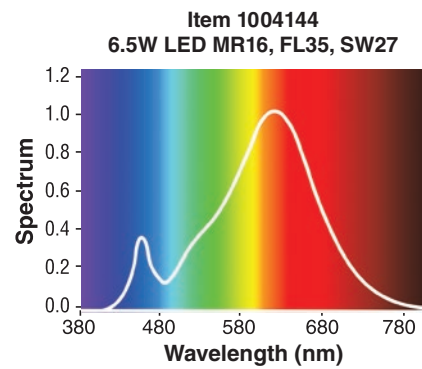
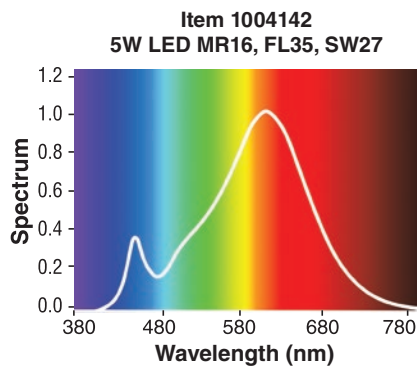
ø(ft)	H(ft)	E(fc)
2.0	3.3	91.42
4.0	6.6	22.85
6.0	9.8	10.16
8.0	13.1	5.71
10.0	16.4	3.66
35°		5W
5W LED MR16, FL35, WW30		

Item 1004145
6.5W LED MR16, FL35, WW30

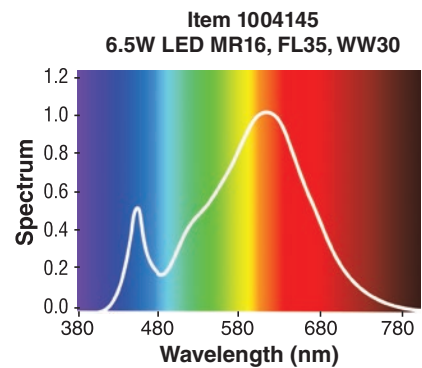
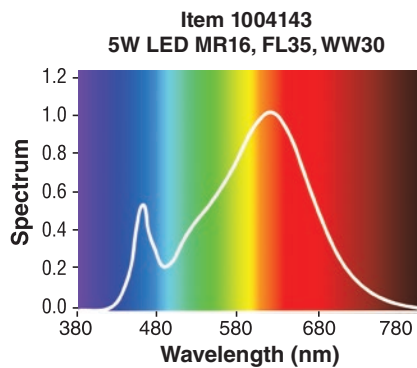
ø(ft)	H(ft)	E(fc)
2.0	3.3	121.60
3.9	6.6	30.40
5.9	9.8	13.51
7.8	13.1	7.60
9.8	16.4	4.87
35°		6.5W
6.5W LED MR16, FL35, WW30		

Spectral Distribution Charts

2700K



3000K



SPECIFICATIONS

2700K

Item 1004142
5W LED MR16, FL35, SW27

Lighting Facts/ Faits d'éclairage	
Per Bulb/Par l'ampoule	
Brightness/Luminosité	350 lumens
Estimated Yearly Energy Cost/ Coût énergétique annuel estimé	\$0.60
Based on 3 hrs/day, 11¢/kWh. Cost depends on rates and use. /Basé sur 3 heures/jour, 11¢/kWh. Les coûts dépendent du tarif et de la fréquence d'utilisation.	
Life/Vie	22.8 years/ans
Based on 3 hrs/day. /Basé sur 3 heures/jour.	
Light Appearance/Apparence de l'éclairage	
Warm/Chaud ▲ ▼ Cool/Froid	
2700K	
Energy Used/Énergie utilisée	5 watts

Item 1004144
6.5W LED MR16, FL35, SW27

Lighting Facts/ Faits d'éclairage	
Per Bulb/Par l'ampoule	
Brightness/Luminosité	500 lumens
Estimated Yearly Energy Cost/ Coût énergétique annuel estimé	\$0.78
Based on 3 hrs/day, 11¢/kWh. Cost depends on rates and use. /Basé sur 3 heures/jour, 11¢/kWh. Les coûts dépendent du tarif et de la fréquence d'utilisation.	
Life/Vie	22.8 years/ans
Based on 3 hrs/day. /Basé sur 3 heures/jour.	
Light Appearance/Apparence de l'éclairage	
Warm/Chaud ▲ ▼ Cool/Froid	
2700K	
Energy Used/Énergie utilisée	6.5 watts

3000K

Item 10044143
5W LED MR16, FL35, WW30

Lighting Facts/ Faits d'éclairage	
Per Bulb/Par l'ampoule	
Brightness/Luminosité	350 lumens
Estimated Yearly Energy Cost/ Coût énergétique annuel estimé	\$0.60
Based on 3 hrs/day, 11¢/kWh. Cost depends on rates and use. /Basé sur 3 heures/jour, 11¢/kWh. Les coûts dépendent du tarif et de la fréquence d'utilisation.	
Life/Vie	22.8 years/ans
Based on 3 hrs/day. /Basé sur 3 heures/jour.	
Light Appearance/Apparence de l'éclairage	
Warm/Chaud ▲ ▼ Cool/Froid	
3000K	
Energy Used/Énergie utilisée	5 watts

Item 1004145
6.5W LED MR16, FL35, WW30

Lighting Facts/ Faits d'éclairage	
Per Bulb/Par l'ampoule	
Brightness/Luminosité	500 lumens
Estimated Yearly Energy Cost/ Coût énergétique annuel estimé	\$0.78
Based on 3 hrs/day, 11¢/kWh. Cost depends on rates and use. /Basé sur 3 heures/jour, 11¢/kWh. Les coûts dépendent du tarif et de la fréquence d'utilisation.	
Life/Vie	22.8 years/ans
Based on 3 hrs/day. /Basé sur 3 heures/jour.	
Light Appearance/Apparence de l'éclairage	
Warm/Chaud ▲ ▼ Cool/Froid	
3000K	
Energy Used/Énergie utilisée	6.5 watts