

# Uphoria™ LED PAR38

## Replacement Lamp for High Wattage Halogens Used in High Ceiling

Finally, there is a reliable LED PAR38 that can achieve long throws of light from high ceilings. The 30W Uphoria™ LED PAR38 lamp offers 1,880 lumens of light in a 20 degree narrow flood beam spread.

The dimmable Uphoria LED PAR38 is a high-power LED lamp, but still offers 90% energy savings when comparing this lamp to high wattage halogens that are currently being used in most high ceilings. This makes Ushio America's LED PAR38 an excellent replacement lamp solution.

The Uphoria LED PAR38 lamp incorporates a state-of-the-art Cool-Blade™ heat sink design that guarantees reliability and stability through proper thermal management. This technology was originally developed for the aerospace industry and the military as a way of providing superior heat transfer for computer servers and intricate electronics that require premium thermal management in a very lightweight product. This same technology is incorporated into every Uphoria LED PAR38 lamp where individual, high-density, aluminum cooling blades draw damaging heat away from the LEDs creating an ideal operating environment for the chipsets. Less heat means a longer life for LEDs, and Ushio is proud to stand behind its high performance 30W Uphoria LED PAR38 lamp with a 5-year limited warranty and a rated life of 50,000 hours.

The Uphoria LED PAR38 lamp operates on 120V, and has a 3000K Warm White color temperature.



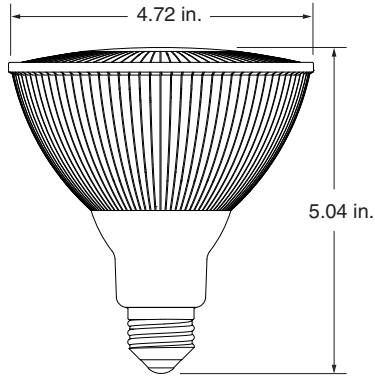
## FEATURES & BENEFITS

- Energy Saving
- Dimmable
- High Brightness
- Proprietary Cool-Blade Aluminum Heat Sink for Premium Thermal Management and Life
- Long Life: 50,000 Hours
- Application Friendly: UV Free & IR Free
- Environmentally Friendly: Mercury Free, Lead Free and RoHS Compliant
- 5-Year Limited Warranty

## APPLICATIONS

- High Ceilings
- Track Lighting
- Recessed Lighting
- Church Lighting
- Mall Lighting
- Art Gallery & Museum Lighting

# SPECIFICATIONS

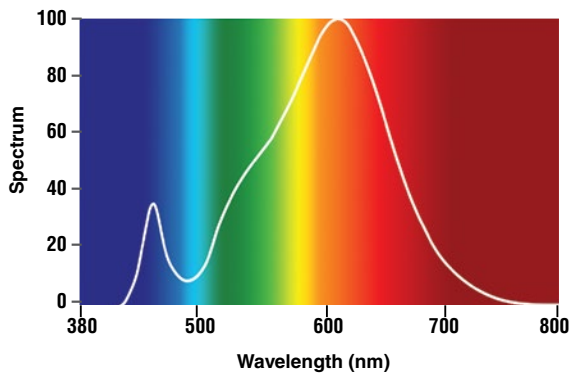


**PAR38  
E26 Base**

Item 1003953  
 $\varnothing$ (ft)    H(ft)    E(fc)

0.84	3.3	1413.85
1.69	6.6	353.48
2.53	9.8	157.09
3.38	13.1	88.37
4.22	16.4	56.56
<b>20°</b>		<b>30W</b>
<b>30W LED PAR38, NFL20 WW30</b>		

Item# 1003953  
**30W LED PAR38, NFL20 WW30**



Watts (W)	Ordering Code	Lamp Description	Bulb Type	Volts (V)	Color Temp (K)	Beam Angle	Lumens* (lm)	CBCP* (cd)	CRI	Avg** Life (h)	Case Qty
30	1003953	UPHORIA LED PAR38, NFL20, WW30	PAR38	120	3000	20°	1880	13200	80+	50000	12

\* Photometric data is based on LM-79 tests.  
 \*\* Average life based on 70% lumen maintenance. LM-80 data available.

Not compliant with California Title 20.  
 Discontinued - For Reference Only

### Electrical Specifications:

- Driver: High Efficiency
- Power Factor: > 0.90
- Dimming: See [www.ushio.com](http://www.ushio.com) for dimmer compatibility options.

### CAUTION:

The lamp may not be compatible with all dimmers. Check [www.ushio.com](http://www.ushio.com) to find up to date dimmer compatibility options. Use only 120V 60Hz circuits. Do not open. No user serviceable parts inside. Use is not recommended where exposed to weather. The device is not intended for use with emergency exit fixtures, emergency exit lights, photo controls, electric timers. Fully enclosed or recessed fixtures must contain proper ventilation. Reliable Operating temperature is -4°F to 113°F. This device complies with Part 15 of the FCC Rules. Operation is subject to the following two conditions: (1) this device may not cause harmful interference, and (2) this device must accept any interference received, including interference that may cause undesired operation.

