

# UPHORIA™ LED REFLECTOR

## LED R40 Lamps

Uphoria™ LED reflector lamps provide energy-saving, professional accent lighting with soft, glare-free illumination that's perfect for any surface.

These dimmable R40 LED lamps are designed in the classic shape of incandescent reflector lamps, but offer modern quality solid state illumination. The Uphoria LED reflector lamps are direct replacements for standard incandescent lamps offering significant energy savings and with a 25,000 hour life rating, lasting 10 times more than the standard incandescent lamp life.

All Uphoria LED reflectors are 120V Warm White (3000K), Wide Flood lamps. They are available in 13W R40 types.

## FEATURES & BENEFITS:

- Energy Saving
- Dimmable
- Wide, Soft Beam that Reduces Glare
- Direct Replacement for Incandescent BR Lamps
- Same Form Factor as Incandescent R Lamps
- Long Life: 25,000 Hours
- Aluminum Reflector for Better Reflectivity and Heat Dissipation
- Application Friendly: UV Free & IR Free
- Environmentally Friendly: Mercury Free, Lead Free & RoHS Compliant
- 3-Year Limited Warranty
- Damp Location Rated\*\*

\*\* May only be used in sheltered outdoor areas that are protected from direct contact with rain, snow, or excessive moisture.

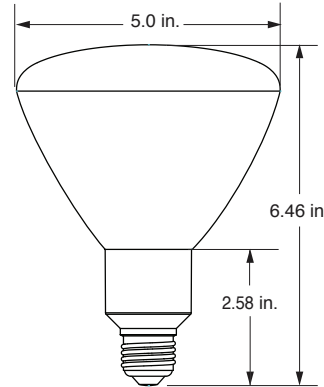
### Qualifications:



## APPLICATIONS:

- Recessed Lighting
- Display Lighting
- Accent Lighting
- Art Gallery & Museum Lighting
- Office Lighting
- Hospitality Lighting

# UPHORIA™ LED REFLECTOR



E26 Base

Watts (W)	Ordering Code	Lamp Description	Bulb Type	Volts (V)	Color Temp (K)	Beam Angle	Lumens* (lm)	Max CP* (cd)	CRI	Avg** Life (h)	Case Qty
13	1003857	UPHORIA LED R40, WFL105, WW30	R40	120	3000	105°	880	300	82	25000	12

\* Photometric data is based on LM-79 tests.

Discontinued - For Reference Only

\*\* Average life based on 70% lumen maintenance. LM-80 data available.

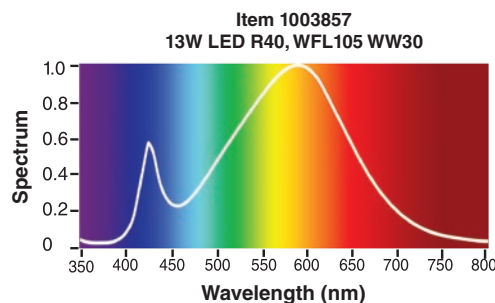
## Electrical Specifications:

Driver: High Efficiency

Power Factor: 13W = 0.70

Dimming: See [www.ushio.com](http://www.ushio.com) for dimmer compatibility options.

ITEM 1003857		
ø(ft)	H(ft)	E(fc)
8.8	3.3	28.19
17.6	6.6	7.05
26.3	9.8	3.13
35.1	13.1	1.76
43.9	16.4	1.12
<b>105°</b>		<b>13W</b>
13W LED R40, WFL105 WW30		



Item 1003857  
13W LED R40, WFL105 WW30

## Lighting Facts/ Faits d'éclairage

Per Bulb/Par l'ampoule

**Brightness/Luminosité** 880 lumens

**Estimated Yearly Energy Cost/** \$1.57

**Coût énergétique annuel estimé**

Based on 3 hrs/day, 11¢/kWh. Cost depends on rates and use. /Basé sur 3 heures/jour, 11¢/kWh. Les coûts dépendent du tarif et de la fréquence d'utilisation.

**Life/Vie** 23 years/ans

Based on 3 hrs/day. /Basé sur 3 heures/jour.

**Light Appearance/Apparence de l'éclairage**

Warm/Chaud Cool/Froid

3000K

**Energy Used/Énergie utilisée** 13 watts

## CAUTION:

The lamp may not be compatible with all dimmers. Check [www.ushio.com](http://www.ushio.com) to find up to date dimmer compatibility options. Use only 120V 60Hz circuits. Do not open. No user serviceable parts inside. Use is not recommended where exposed to weather, outdoor usage requires an enclosed fixture. The device is not intended for use with emergency exit fixtures, emergency exit lights, photo controls, electric timers. Fully enclosed or recessed fixtures must contain proper ventilation. Reliable Operating temperature is -4°F to 113°F. This device complies with Part 15 of the FCC Rules. Operation is subject to the following two conditions: (1) this device may not cause harmful interference, and (2) this device must accept any interference received, including interference that may cause undesired operation.