



Uphoria™ 2 LED BR

LED R20, BR30 & BR40 Lamps

USHIO ENERGY STAR certified Uphoria™ 2 LED BR lamps provide energy saving, professional accent lighting with soft, glare-free illumination that's perfect for any surface.

These dimmable R20, BR30 and BR40 LED lamps are designed in the classic shape of incandescent reflector lamps, but offer modern quality solid-state illumination. The Uphoria 2 LED BR lamps are direct replacements for standard incandescent lamps offering significant energy savings and with a 25,000 hour life rating, lasting 10 times longer than the standard incandescent lamp life.

All Uphoria 2 LED BR are 120V Warm White (2700K & 3000K), Wide Flood lamps. They are available in 7W R20, 8.5W & 10W BR30, and 12W & 17W BR40 types.



FEATURES & BENEFITS

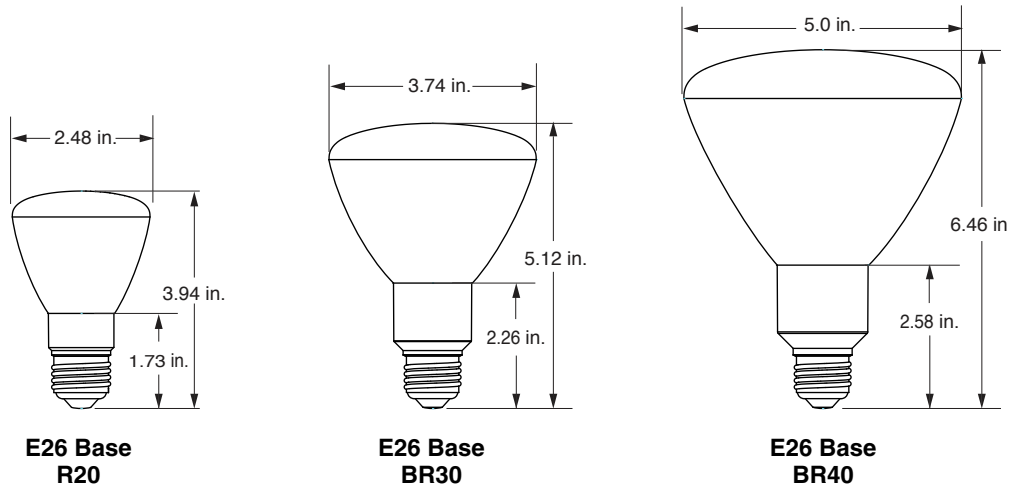
- Energy Saving
- Dimmable
- Wide, Soft Beam that Reduces Glare
- Direct Replacement for Incandescent R and BR Lamps
- Same Form Factor as Incandescent R Lamps
- Long Life: 25,000 Hours
- Aluminum Reflector for Better Reflectivity and Heat Dissipation
- Application Friendly: UV Free & IR Free
- Environmentally Friendly: Mercury Free, Lead Free and RoHS Compliant
- 3-Year Limited Warranty
- Damp Location Rated*

* May only be used in sheltered outdoor areas that are protected from direct contact with rain, snow, or excessive moisture.

APPLICATIONS

- Recessed Lighting
- Display Lighting
- Accent Lighting
- Art Gallery & Museum Lighting
- Office Lighting
- Hospitality Lighting

SPECIFICATIONS



Case Quantity: 12

| Watts (W) | Ordering Code | Lamp Description | Bulb Type | Volts (V) | Color Temp (K) | Beam Angle | Lumens* (lm) | CBCP* (cd) | CRI | Avg** (h) |
|-----------|---------------|---|-----------|-----------|----------------|------------|--------------|------------|-----|-----------|
| 8.5 | 1003994 | UPHORIA 2 LED BR30, WFL106, WW27 | BR30 | 120 | 2700 | 106° | 650 | 247 | 80+ | 25,000 |
| 8.5 | 1003995 | UPHORIA 2 LED BR30, WFL106, WW30 | BR30 | 120 | 3000 | 106° | 670 | 250 | 80+ | 25,000 |
| 10 | 1003996 | UPHORIA 2 LED BR30, WFL108, WW27, 90CRI | BR30 | 120 | 2700 | 108° | 650 | 283 | 90+ | 25,000 |
| 12 | 1004000 | UPHORIA 2 LED BR40, WFL103, WW30 | BR40 | 120 | 3000 | 103° | 930 | 340 | 80+ | 25,000 |

* Photometric data is based on LM-79 tests.

** Average life based on 70% lumen maintenance. LM-80 data available.

Electrical Specifications:

Driver: High Efficiency

Power Factor: > 0.90

Dimming: See www.ushio.com for dimmer compatibility options.

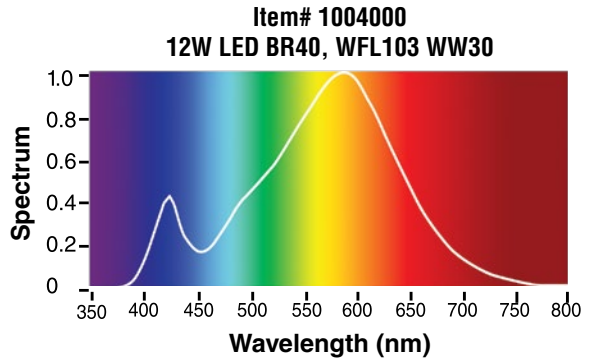
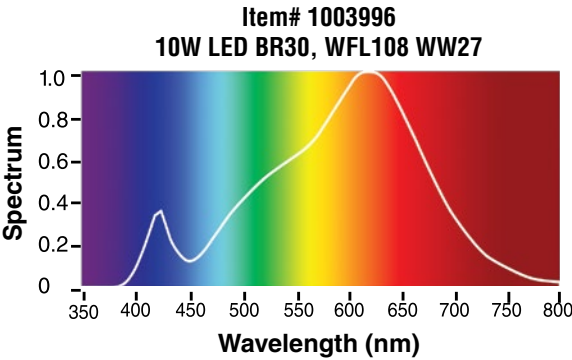
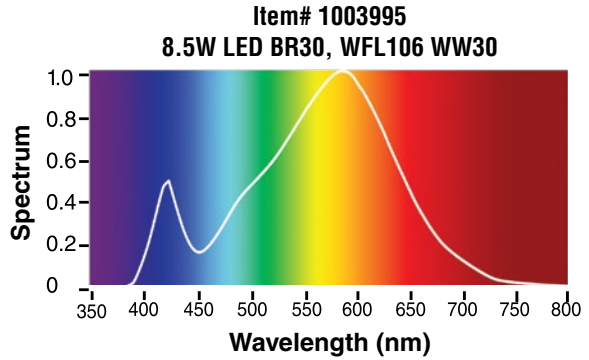
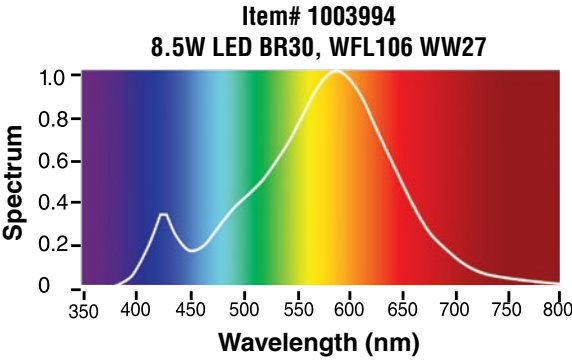
CAUTION:

The lamp may not be compatible with all dimmers. Check www.ushio.com to find up to date dimmer compatibility options. Use only 120V 60Hz circuits. Do not open. No user serviceable parts inside. Use is not recommended where exposed to weather, outdoor usage requires an enclosed fixture. The device is not intended for use with emergency exit fixtures, emergency exit lights, photo controls or electric timers. Fully enclosed or recessed fixtures must contain proper ventilation for BR30 and BR40 lamps. Reliable Operating temperature is -4°F to 113°F. This device complies with Part 15 of the FCC Rules. Operation is subject to the following two conditions: (1) this device may not cause harmful interference, and (2) this device must accept any interference received, including interference that may cause undesired operation.

Photometrics

| Item# 1003994 | | | Item# 1003995 | | | Item# 1003996 | | | Item# 1004000 | | |
|----------------------------|-------|-------------|----------------------------|-------|-------------|---------------------------|-------|------------|---------------------------|-------|------------|
| ø(ft) | H(ft) | E(fc) | ø(ft) | H(ft) | E(fc) | ø(ft) | H(ft) | E(fc) | ø(ft) | H(ft) | E(fc) |
| 8.8 | 3.3 | 23.04 | 8.8 | 3.3 | 21.96 | 8.9 | 3.3 | 21.77 | 8.5 | 3.3 | 31.13 |
| 17.6 | 6.6 | 5.76 | 17.6 | 6.6 | 5.49 | 17.7 | 6.6 | 5.44 | 17.1 | 6.6 | 7.79 |
| 26.3 | 9.8 | 2.56 | 26.5 | 9.8 | 2.44 | 26.6 | 9.8 | 2.42 | 25.6 | 9.8 | 3.46 |
| 35.1 | 13.1 | 1.44 | 35.3 | 13.1 | 1.37 | 35.4 | 13.1 | 1.37 | 34.1 | 13.1 | 1.94 |
| 43.9 | 16.4 | 0.92 | 44.1 | 16.4 | 0.88 | 44.3 | 16.4 | 0.87 | 42.7 | 16.4 | 1.24 |
| 108° | | 8.5W | 108° | | 8.5W | 108° | | 10W | 103° | | 12W |
| 8.5W LED BR30, WFL106 WW27 | | | 8.5W LED BR30, WFL106 WW30 | | | 10W LED BR30, WFL108 WW27 | | | 12W LED BR40, WFL103 WW30 | | |

Spectral Distribution Charts



SPECIFICATIONS

Lighting Facts

Item# 1003994
8.5W LED BR30, WFL106 WW27

| | |
|--|---------------------|
| Lighting Facts/ Faits d'éclairage | |
| Per Bulb/Par l'ampoule | |
| Brightness/Luminosité | 650 lumens |
| Estimated Yearly Energy Cost/ Coût énergétique annual estimé | \$1.02 |
| Based on 3 hrs/day, 11¢/kWh. Cost depends on rates and use. /Basé sur 3 heures/jour, 11¢/kWh. Les coûts dépendent du tarif et de la fréquence d'utilisation. | |
| Life/Vie | 23 years/ans |
| Based on 3 hrs/day. /Basé sur 3 heures/jour. | |
| Light Appearance/Apparence de l'éclairage | |
| Warm/Chaud | Cool/Froid |
| ▲ 2700K | |
| Energy Used/Énergie utilisée | 8.5 watts |

Item# 1003995
8.5W LED BR30, WFL106 WW30

| | |
|--|---------------------|
| Lighting Facts/ Faits d'éclairage | |
| Per Bulb/Par l'ampoule | |
| Brightness/Luminosité | 670 lumens |
| Estimated Yearly Energy Cost/ Coût énergétique annual estimé | \$1.02 |
| Based on 3 hrs/day, 11¢/kWh. Cost depends on rates and use. /Basé sur 3 heures/jour, 11¢/kWh. Les coûts dépendent du tarif et de la fréquence d'utilisation. | |
| Life/Vie | 23 years/ans |
| Based on 3 hrs/day. /Basé sur 3 heures/jour. | |
| Light Appearance/Apparence de l'éclairage | |
| Warm/Chaud | Cool/Froid |
| ▲ 3000K | |
| Energy Used/Énergie utilisée | 8.5 watts |

Item# 1003996
10W LED BR30, WFL108 WW27

| | |
|--|---------------------|
| Lighting Facts/ Faits d'éclairage | |
| Per Bulb/Par l'ampoule | |
| Brightness/Luminosité | 670 lumens |
| Estimated Yearly Energy Cost/ Coût énergétique annual estimé | \$1.20 |
| Based on 3 hrs/day, 11¢/kWh. Cost depends on rates and use. /Basé sur 3 heures/jour, 11¢/kWh. Les coûts dépendent du tarif et de la fréquence d'utilisation. | |
| Life/Vie | 23 years/ans |
| Based on 3 hrs/day. /Basé sur 3 heures/jour. | |
| Light Appearance/Apparence de l'éclairage | |
| Warm/Chaud | Cool/Froid |
| ▲ 2700K | |
| Energy Used/Énergie utilisée | 10 watts |

Item# 1004000
12W LED BR40, WFL103 WW30

| | |
|--|---------------------|
| Lighting Facts/ Faits d'éclairage | |
| Per Bulb/Par l'ampoule | |
| Brightness/Luminosité | 930 lumens |
| Estimated Yearly Energy Cost/ Coût énergétique annual estimé | \$1.45 |
| Based on 3 hrs/day, 11¢/kWh. Cost depends on rates and use. /Basé sur 3 heures/jour, 11¢/kWh. Les coûts dépendent du tarif et de la fréquence d'utilisation. | |
| Life/Vie | 23 years/ans |
| Based on 3 hrs/day. /Basé sur 3 heures/jour. | |
| Light Appearance/Apparence de l'éclairage | |
| Warm/Chaud | Cool/Froid |
| ▲ 3000K | |
| Energy Used/Énergie utilisée | 12 watts |